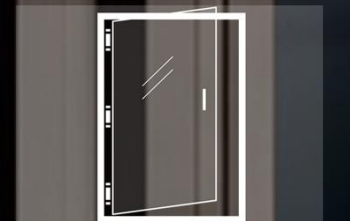
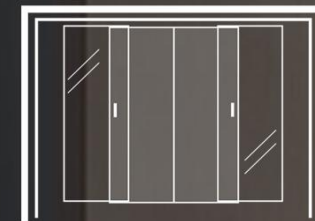
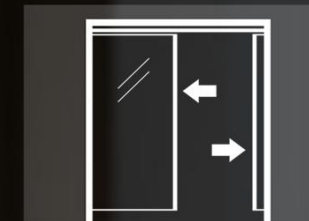
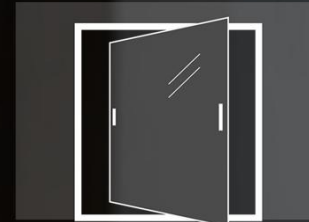




WAYBOM

Get the latest aluminum profiles and hardware for any project,
with our superior stock and R&D capabilities.



Get the latest aluminum profiles and hardware for any project,
with our superior stock and R&D capabilities.

Foshan Waybom Technology Co.,Ltd

Office Address: Room 1606, Weiye International Building,
No.75 Lingnan Road, Nanhai, Foshan, Guangdong, China

Show Room Address: Northeast of Ligang Industrial Zone, Nanhai, Foshan,
Guangdong (next to Yirui) Waybom Aluminum

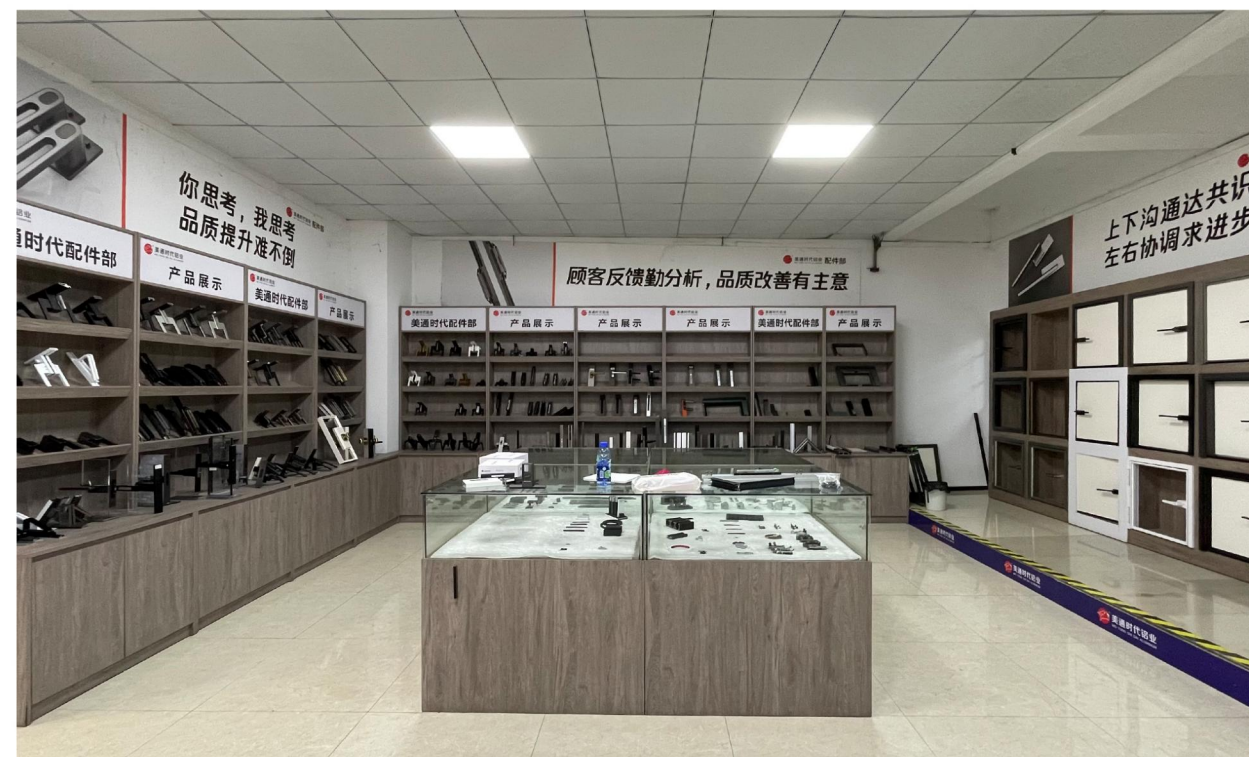


ACCESSORIES DEPARTMENT

Waybom Aluminum Accessories Division has professional products and unique solutions.

We will always adhere to the honest business philosophy, adhering to the rigorous and scientific working attitude, carry forward the spirit of craftsmanship, and constantly improve the door and window accessories technology, fashion, intelligent, international standards, to create greater value for users.

We are willing to work together with home furnishing industry partners at home and abroad to create a better future!



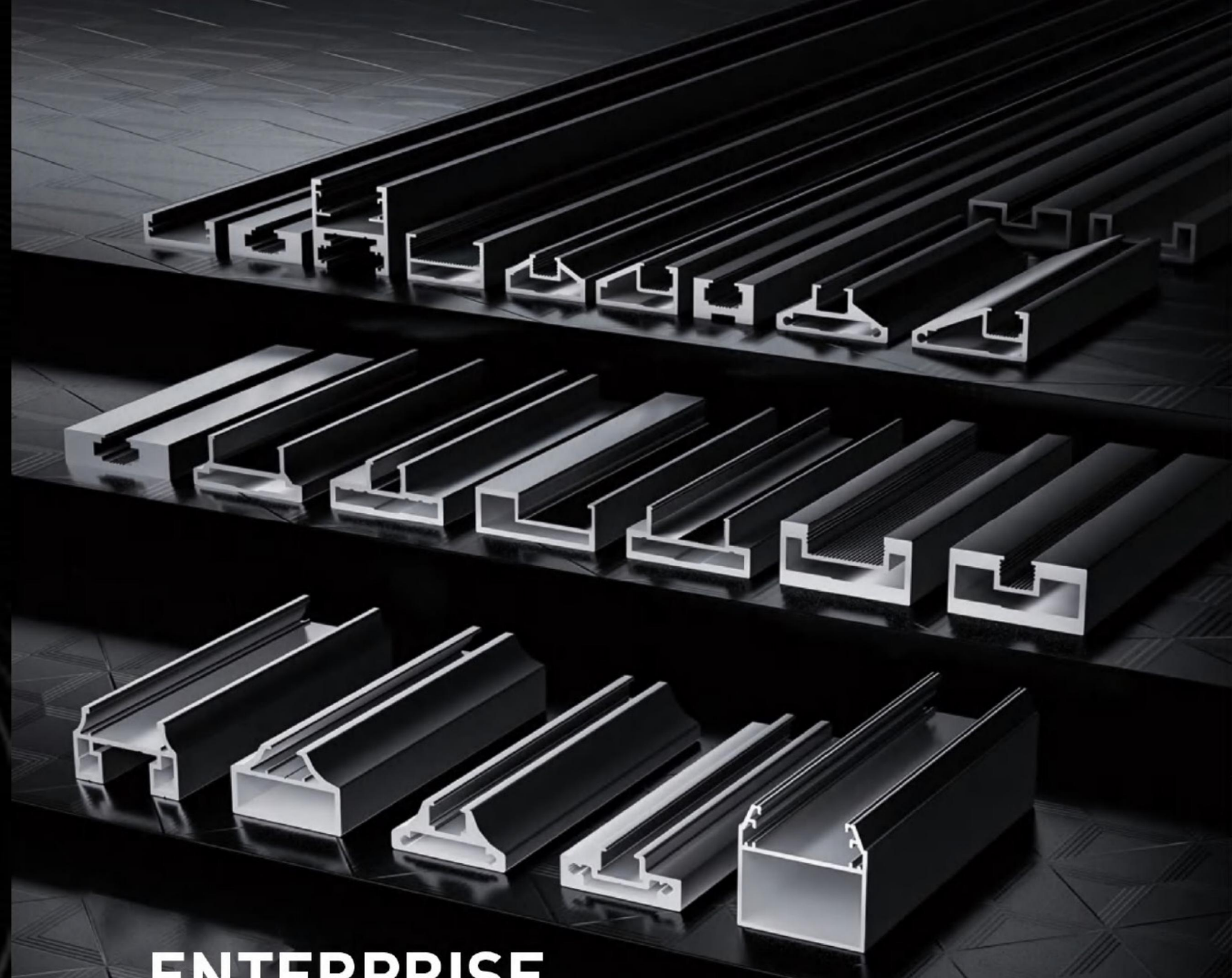


Thomas Smith

产品艺术总监:托马仕.史密斯

Waybom International, a division of Meitong Group, dedicated to providing comprehensive one-stop purchasing solutions for overseas clients.

DOORS AND WINDOWS WITH YOU MORE OFTEN



ENTERPRISE

BRIEF INTRODUCTION

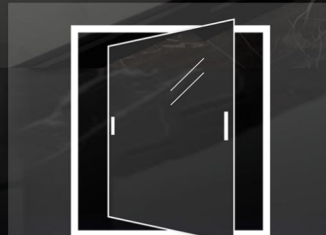
Established in 2008, we are a first-line factory with powder coating lines, anodising lines and ten extrusion lines of different aluminium bar diameters, with an annual production capacity of over 30,000 tonnes.

Our main products are aluminium profiles, including aluminium profiles for interior doors, aluminium cabinet doors and handles, and glass cabinet profiles.

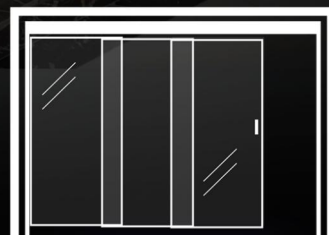
During the last decade of development and growth, Waybom aluminium has always adhered to the entrepreneurial spirit of focus and professionalism and will continue to provide quality products and professional services to our customers. Currently Waybom aluminium has developed foreign business in more than ten countries and regions such as Saudi Arabia, South East Asia and Africa.



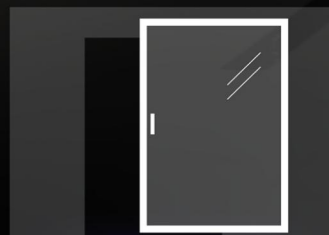
SLIDING DOOR



CENTRAL SHAFT DOOR



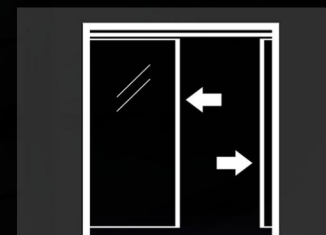
LINKAGE DOOR



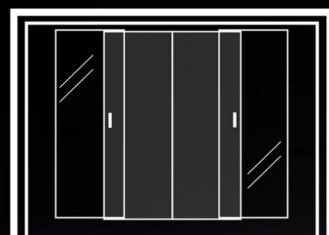
INVISIBLE DOOR



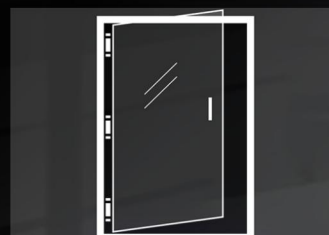
FOLDING DOOR



POCKET DOOR



OVERLAP SLIDING DOOR



SWING DOOR

CATALOG

40 Series Aluminum Profile

• Perfect slim profile system profile & assembly drawing	07-12
• Partition aluminum profile series	13-14
• 40 Series style E aluminum profile&style F aluminum profile	15-16
• Outer frame aluminum profile	17-18
• 40 Series assembly drawing& swing door profile	19-20

45 Series Aluminum Profile

• 45 Series product section	21-22
• French vintage doors assembly drawing	23-26
• 45 Series product scene	27-30
• 45 Series aluminum profile	31-32
• 45 Series outer frame profile	33-36
• 45 Series swing door profile	37-40

35 Series Aluminum Profile

• 35 Series product scene	41-42
• 35 Series style E seamless	43-44
• 35 Series aluminum profile	45-46
• 35 Series outer frame profile & assembly drawing	47-48
• 35 Series swing door profile & assembly drawing	49-50

25 Series Aluminum Profile

• 25 Series product scene	51-52
• 25 Series aluminum profile	53-54

Folding Door Series Aluminum Profile

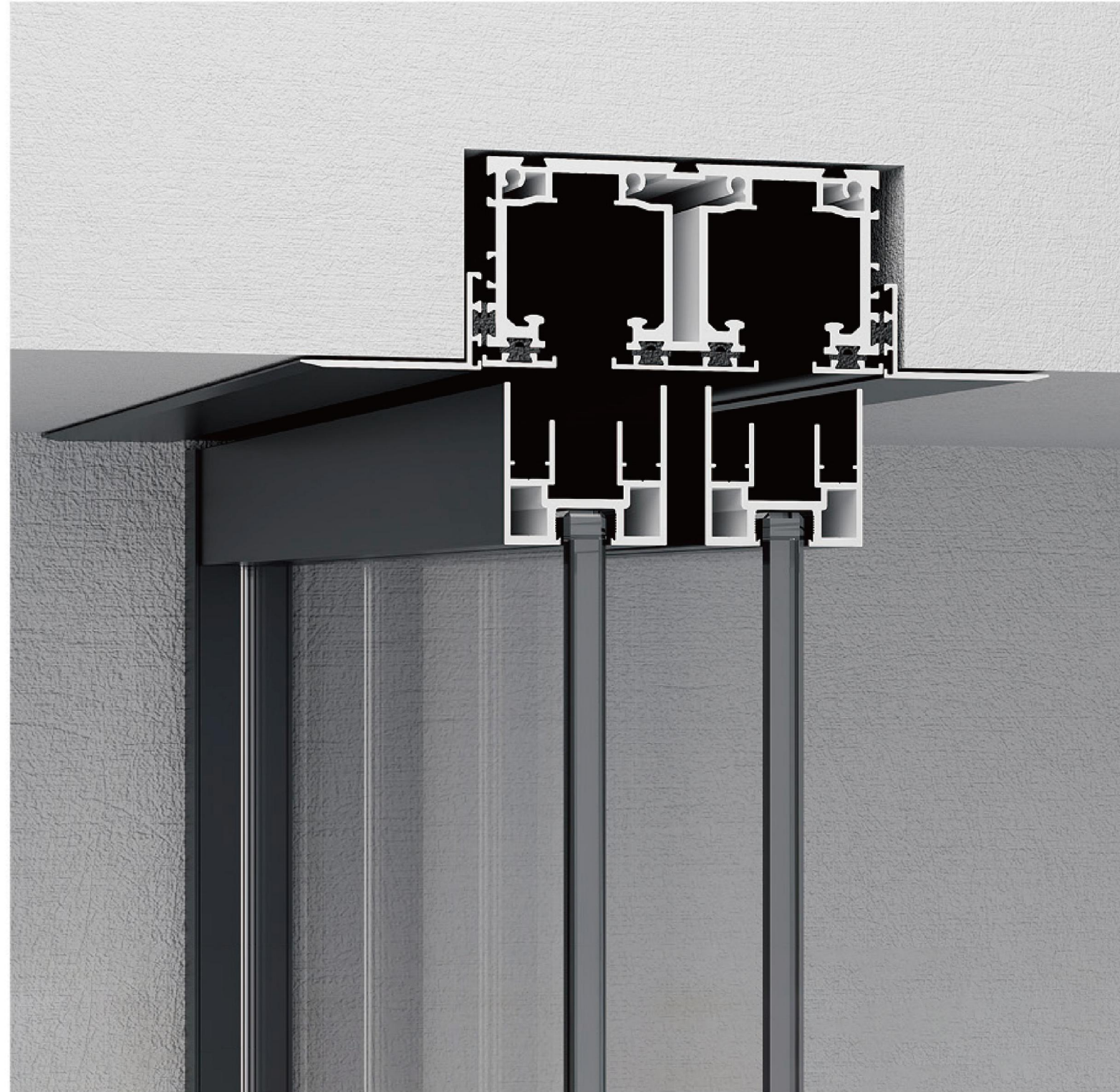
• 35 Folding door series	55-56
• 35 Anti-pinch folding door series	57-58
• 45 Folding door series	59-60
• 45 Narrow side center folding door	61-62
• Two-way free folding door	63-64
• 40 Infinite folding doors	65-66
• 60(20) Small folding door series	67-68
• 50 Small folding door series	69-70
• Slim folding door series	71-72

PT Door Series

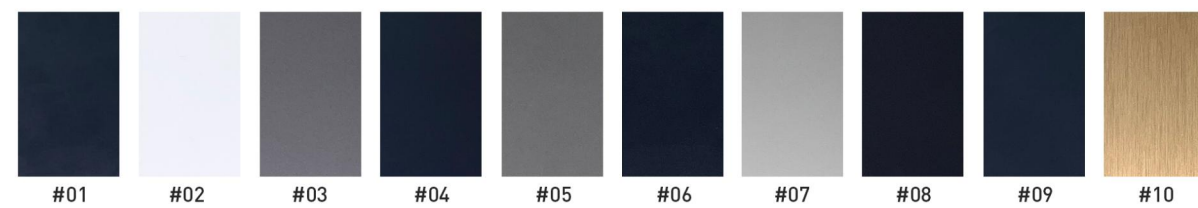
• 50PT door series	73-74
• 80PT door series	75-76
• Slim (Single Glazing) PT Door Series	77-78

Ghost sliding door profiles

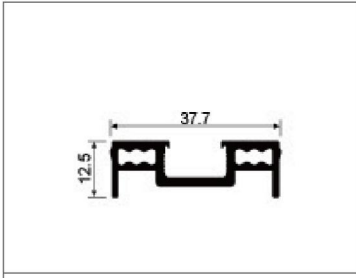
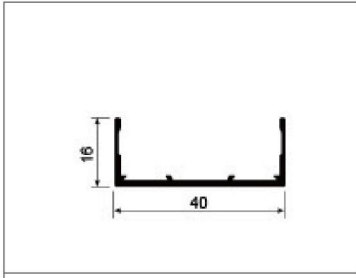
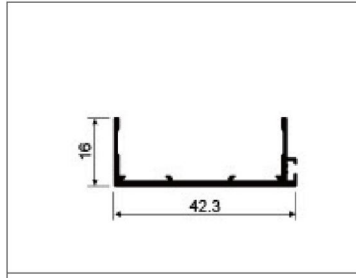
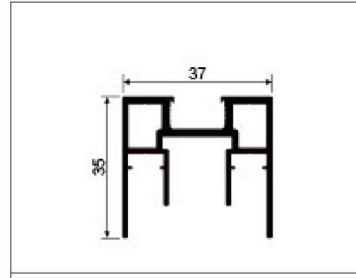
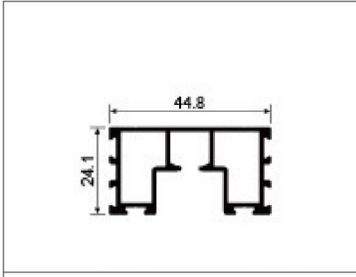
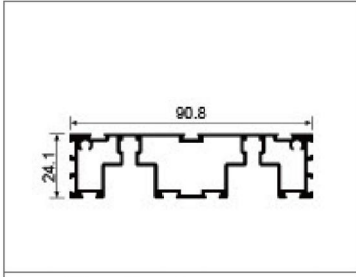
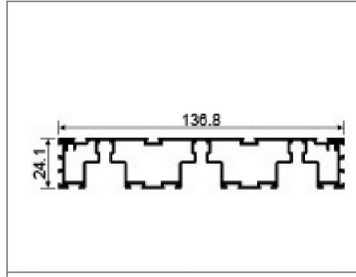
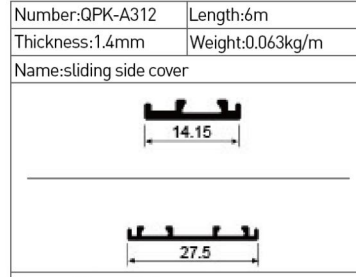
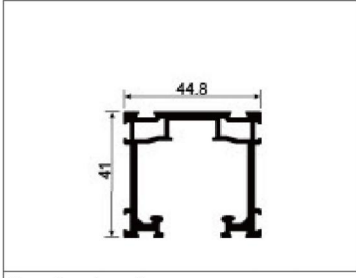
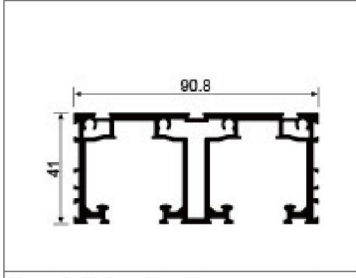
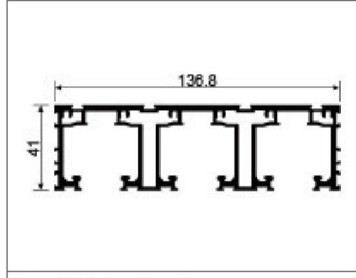
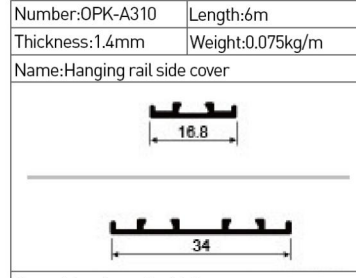
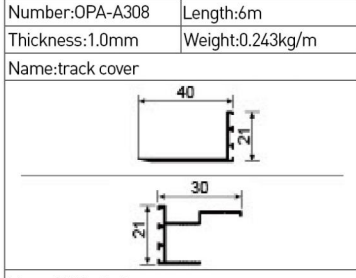
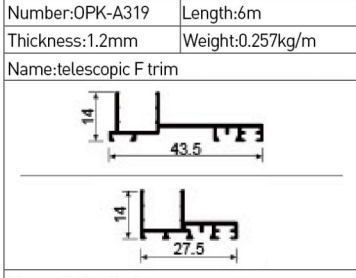
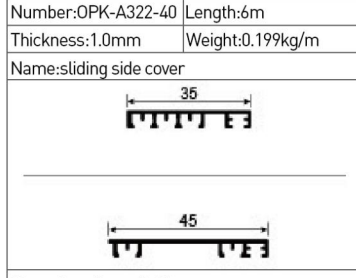
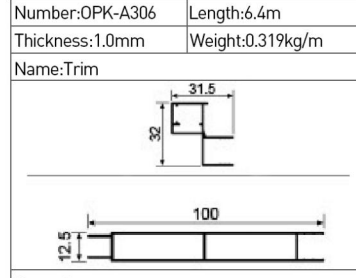
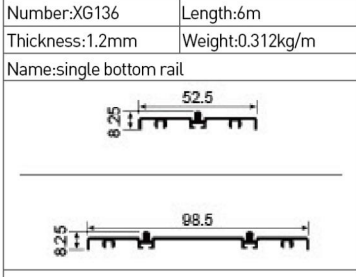
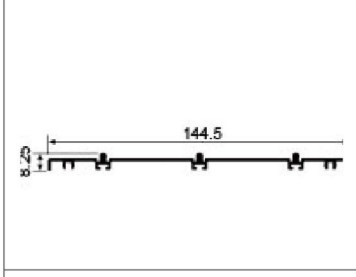
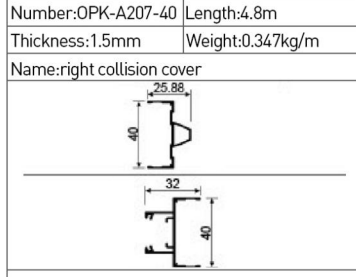
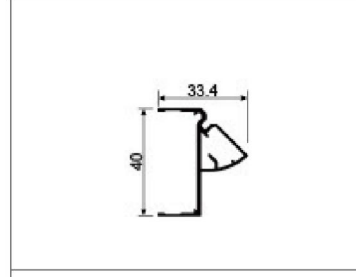
• Ghost sliding door profiles	79-80
-------------------------------	-------



OPK PERFECT SLIM PROFILE SYSTEM ALUMINUM PROFILE SPOT COLOR CARD



#01 #02 #03 #04 #05 #06 #07 #08 #09 #10

 <p>Name:vertical door frame Number:OPK-A202-40 Length:4.8m Thickness:1.5mm Weight:0.447kg/m</p>	 <p>Name:door frame Number:OP-A203-40 Length:4.8m Thickness:1.5mm Weight:0.266kg/m</p>	 <p>Name:door frame (with hook) Number:OP-A204-40 Length:4.8m Thickness:1.5mm Weight:0.286kg/m</p>	 <p>Name:upper and lower brackets Number:OPK-A201-40 Length:6m Thickness:1.5mm Weight:0.754kg/m</p>
 <p>Name:sliding ceiling rails Number:OPK-A103 Length:6m Thickness:1.2mm Weight:0.675kg/m</p>	 <p>Name:sliding ceiling rails Number:SG200 Length:6m Thickness:1.2mm Weight:1.288kg/m</p>	 <p>Name:Triple rail side column profile Number:SG201 Length:6m Thickness:1.3mm Weight:1.883kg/m</p>	<p>Number:QPK-A312 Length:6m Thickness:1.4mm Weight:0.063kg/m</p> <p>Name:sliding side cover</p>  <p>Name:sliding middle cover Number:OPK-A311-40 Length:6m Thickness:1.0mm Weight:0.106kg/m</p>
 <p>Name:hanging rail Number:OPK-A101 Length:6m Thickness:2.5mm Weight:1.205kg/m</p>	 <p>Name:double hanging rail Number:SG198 Length:6m Thickness:2.5mm Weight:2.322kg/m</p>	 <p>Name:Triple hanging rail Number:SG199 Length:6m Thickness:2.5mm Weight:3.389kg/m</p>	<p>Number:OPK-A310 Length:6m Thickness:1.4mm Weight:0.075kg/m</p> <p>Name:Hanging rail side cover</p>  <p>Name:Hanging rail middle cover Number:OPK-A309-40 Length:6m Thickness:1.0mm Weight:0.130kg/m</p>
<p>Number:OPA-A308 Length:6m Thickness:1.0mm Weight:0.243kg/m</p> <p>Name:track cover</p>  <p>Name:Wide F trim Number:OPK-A307 Length:4.8m Thickness:1.0mm Weight:0.209kg/m</p>	<p>Number:OPK-A319 Length:6m Thickness:1.2mm Weight:0.257kg/m</p> <p>Name:telescopic F trim</p>  <p>Name:sliding F trim Number:OPK-A320-40 Length:6m Thickness:1.0mm Weight:0.203kg/m</p>	<p>Number:OPK-A322-40 Length:6m Thickness:1.0mm Weight:0.199kg/m</p> <p>Name:sliding side cover</p>  <p>Name:hanging rail side cover Number:OPK-A32 Length:6m Thickness:1.2mm Weight:0.223kg/m</p>	<p>Number:OPK-A306 Length:6.4m Thickness:1.0mm Weight:0.319kg/m</p> <p>Name:Trim</p>  <p>Name:Cap Number:OPK-A301 Length:6.4m Thickness:1.0mm Weight:0.631kg/m</p>
<p>Number:XG136 Length:6m Thickness:1.2mm Weight:0.312kg/m</p> <p>Name:single bottom rail</p>  <p>Name:double track bottom track Number:XG137 Length:6m Thickness:1.2mm Weight:0.526kg/m</p>	 <p>Name:Triple bottom track Number:XG138 Length:6m Thickness:1.2mm Weight:0.74kg/m</p>	<p>Number:OPK-A207-40 Length:4.8m Thickness:1.5mm Weight:0.347kg/m</p> <p>Name:right collision cover</p>  <p>Name:left collision cover Number:OPK-A208-40 Length:4.8m Thickness:1.5mm Weight:0.442kg/m</p>	 <p>Name:converter Number:OPK-A206-40 Length:4.8m Thickness:1.5mm Weight:0.406kg/m</p>

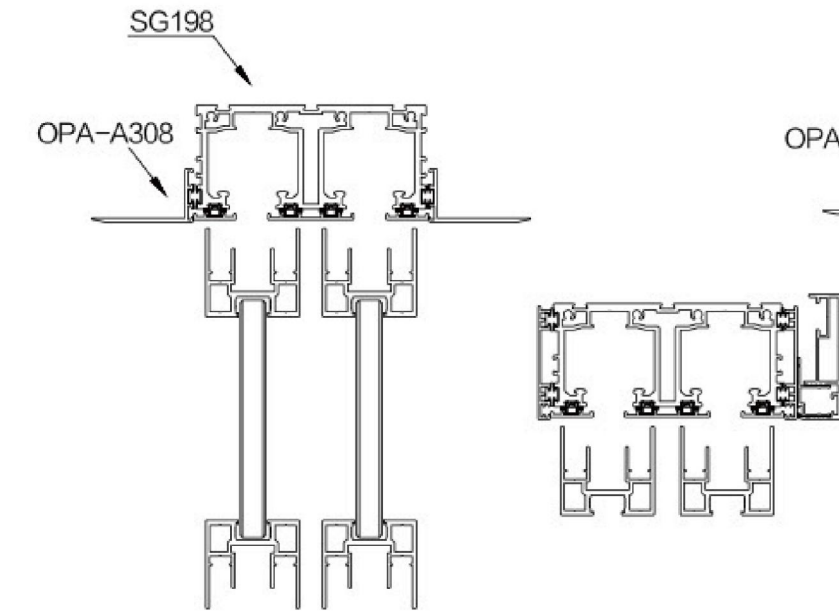
Number:BT072	Length:6.4m
Thickness:1.2mm	Weight:0.325kg/m
Name:Trim	
Name:Bayonet	
Number:BT071	Length:6.4m
Thickness:1.0mm	Weight:0.141kg/m

Number:BT073	Length:6.4m
Thickness:1.2mm	Weight:0.472kg/m
Name:Trim	
Name:Bayonet	
Number:BT074	Length:6.4m
Thickness:1.0mm	Weight:0.138kg/m

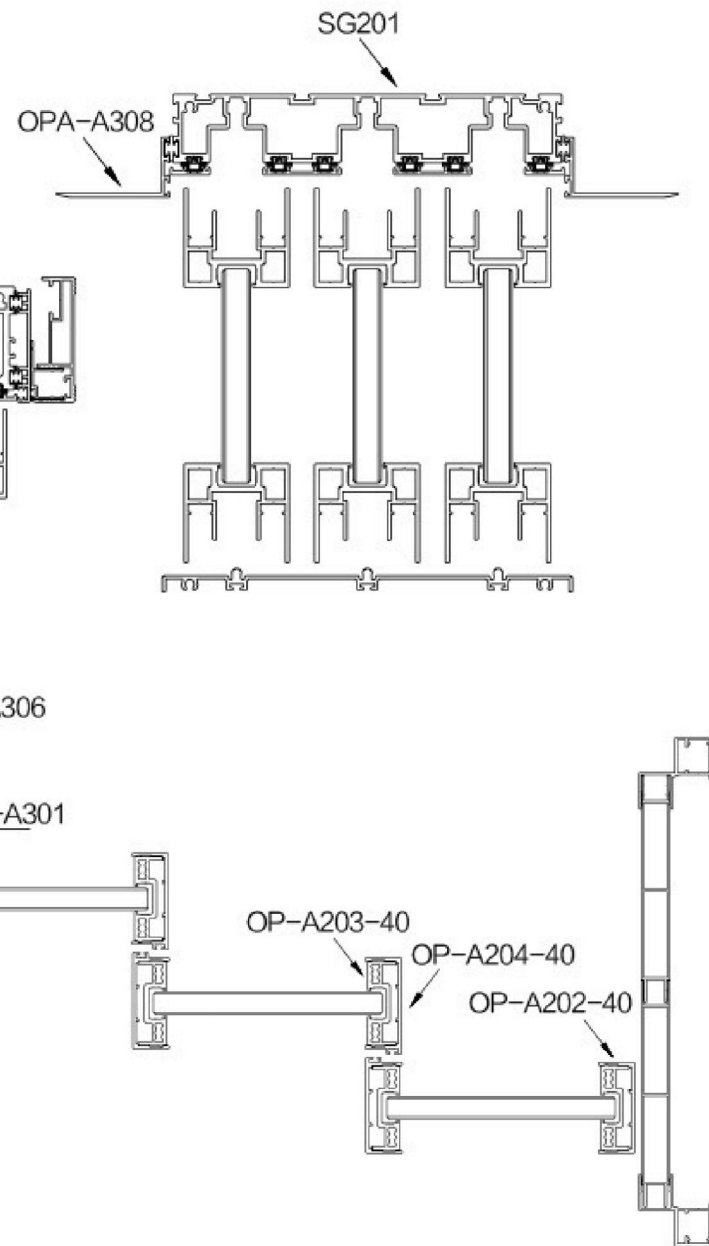
Name:45 degrees converter	
Number:SK661	Length:4.8m
Thickness:1.0mm	Weight:0.316kg/m

Name:Door frame collision cover	
Number:SK598	Length:4.8m
Thickness:1.3mm	Weight:0.229kg/m

Perfect System (40 Series) Hanging rail sliding doors



Perfect System (40 Series) Sliding doors



Name:vertical door frame	
Number:OPK-A236	Length:4.8m
Thickness:1.5mm	Weight:0.460kg/m

Name:door frame	
Number:OPK-A229	Length:4.8m
Thickness:1.5mm	Weight:0.219 kg/m

Name:door frame (with hook)	
Number:OPK-A230	Length:4.8m
Thickness:1.5mm	Weight:0.232Kg/m

Name:upper and lower brackets	
Number:SK728	Length:6m
Thickness:1.5mm	Weight:0.691 kg/m

Name:vertical door frame	
Number:SK727	Length:4.8m
Thickness:1.5mm	Weight:0.486kg/m

Name:door frame	
Number:OPK-A228	Length:4.8m
Thickness:1.5mm	Weight:0.283kg/m

Name:high hanging rail	
Number:OPK-A102	Length:4.8m
Thickness:2.5mm	Weight:1.343kg/m

Name:high hanging rail side cover	
Number:SG209	Length:6m
Thickness:1.2mm	Weight:0.242kg/m

Name:Low hanging rail (single)	
Number:OPK-A123	Length:6m
Thickness:2.3mm	Weight:1.010kg/m

Name:Low hanging rail (double)	
Number:OPK-A124-40	Length:6m
Thickness:2.3mm	Weight:1.843kg/m

Name:Low hanging rail (triple)	
Number:OPK-A125-40	Length:4.8m
Thickness:1.3mm	Weight:1.883kg/m

Name:Low hanging rail side cover	
Number:SG205	Length:6m
Thickness:1.0mm	Weight:0.181kg/m

Name:45 degrees converter	
Number:SK661	Length:4.8m
Thickness:1.0mm	Weight:0.316kg/m

Name:Door frame collision cover	
Number:SK598	Length:4.8m
Thickness:1.3mm	Weight:0.229kg/m

Name:Trim	
Number:BT069	Length:6.4m
Thickness:1.2mm	Weight:0.424kg/m

Name:semi-recessed F trim	
Number:BT068	Length:4.8m
Thickness:1.0mm	Weight:0.113kg/m

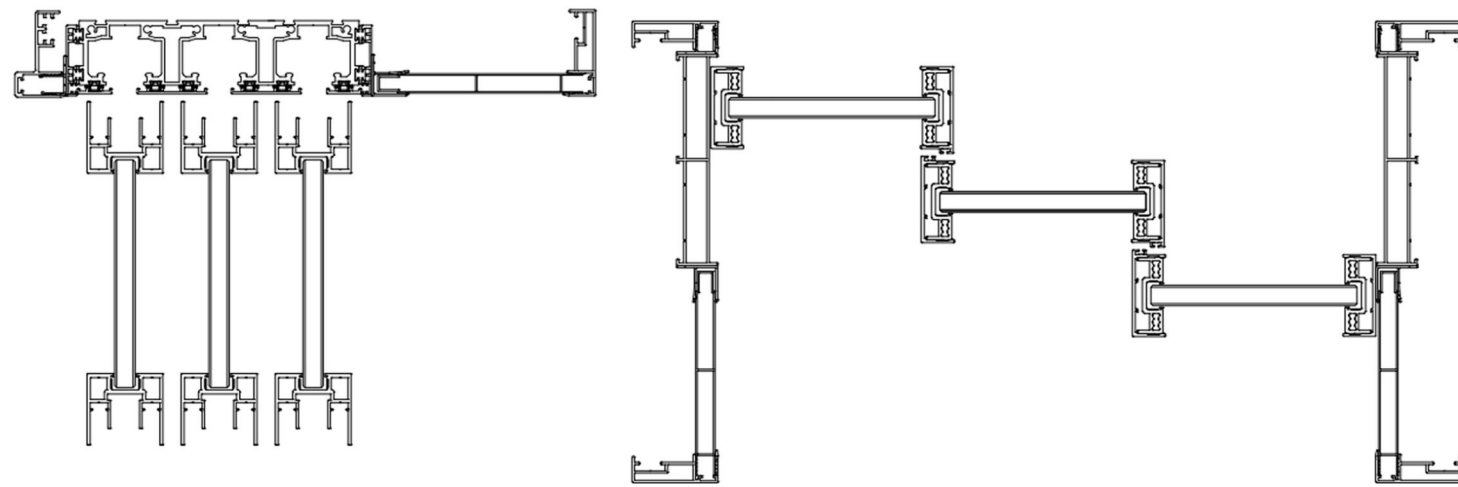
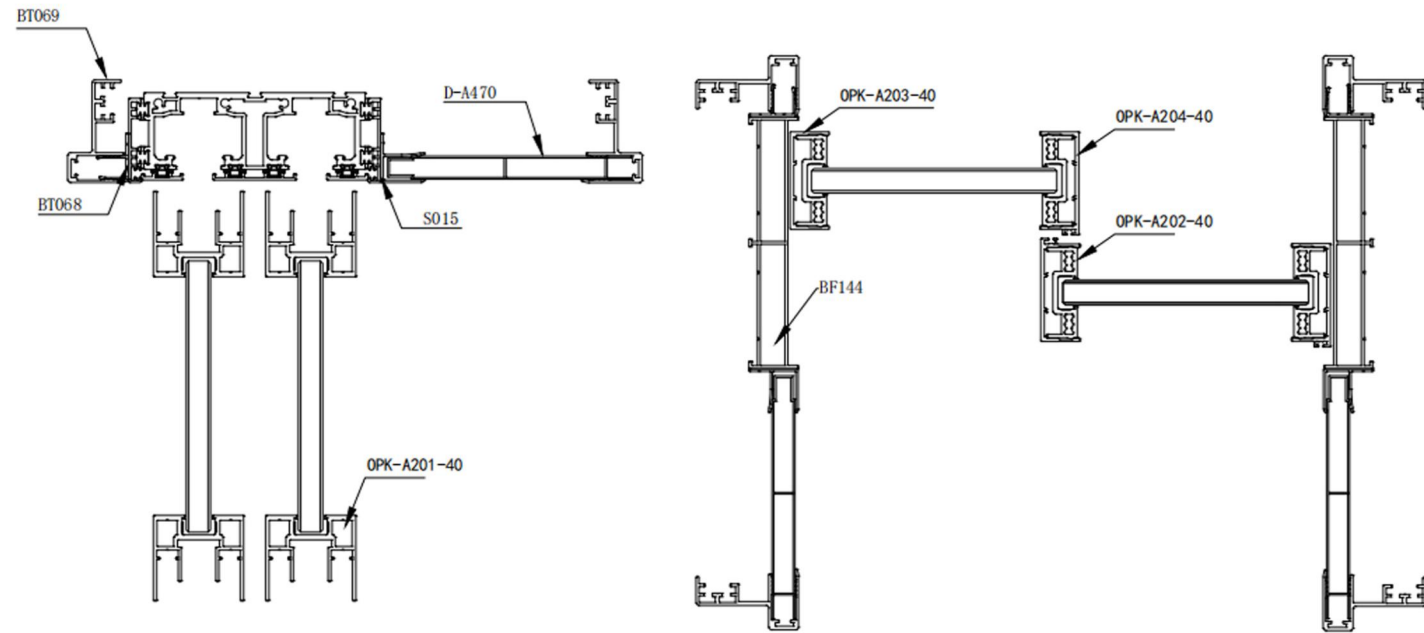
Name:Single rail side column profile	
Number:BF143	Length:5.2m
Thickness:1.2mm	Weight:0.500kg/m

Name:Double rail side column profile	
Number:BF144	Length:5.2m
Thickness:1.2mm	Weight:0.850kg/m

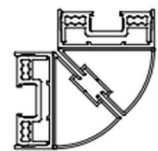
Name:Triple rail side column profile	
Number:BF145	Length:5.2m
Thickness:1.3mm	Weight:1.190kg/m

Name:Cap	
Number:BT060	Length:4.8m
Thickness:0.8mm	Weight:0.627kg/m

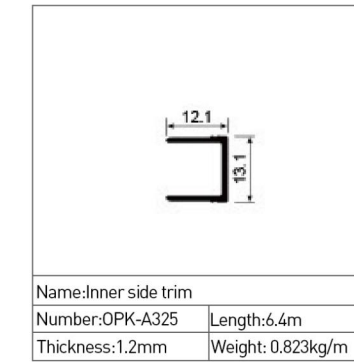
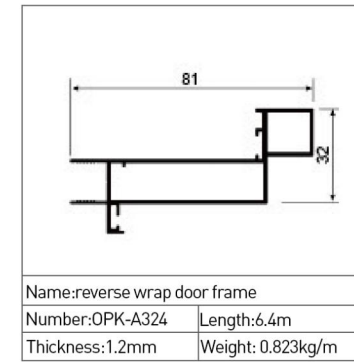
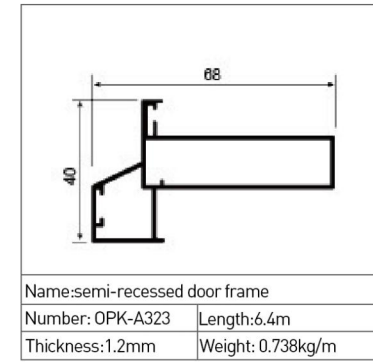
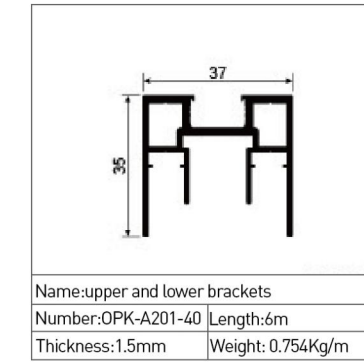
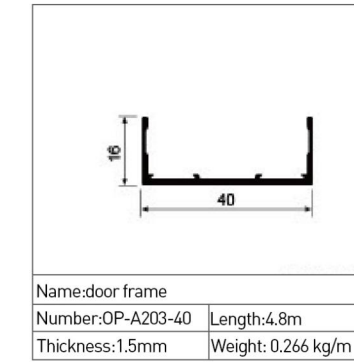
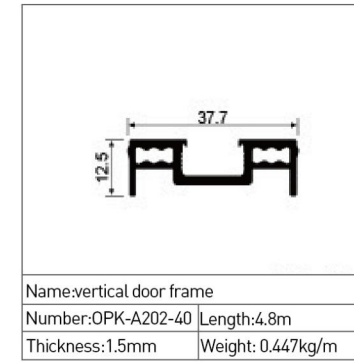
Perfect system (9.5mm) fastener assembly



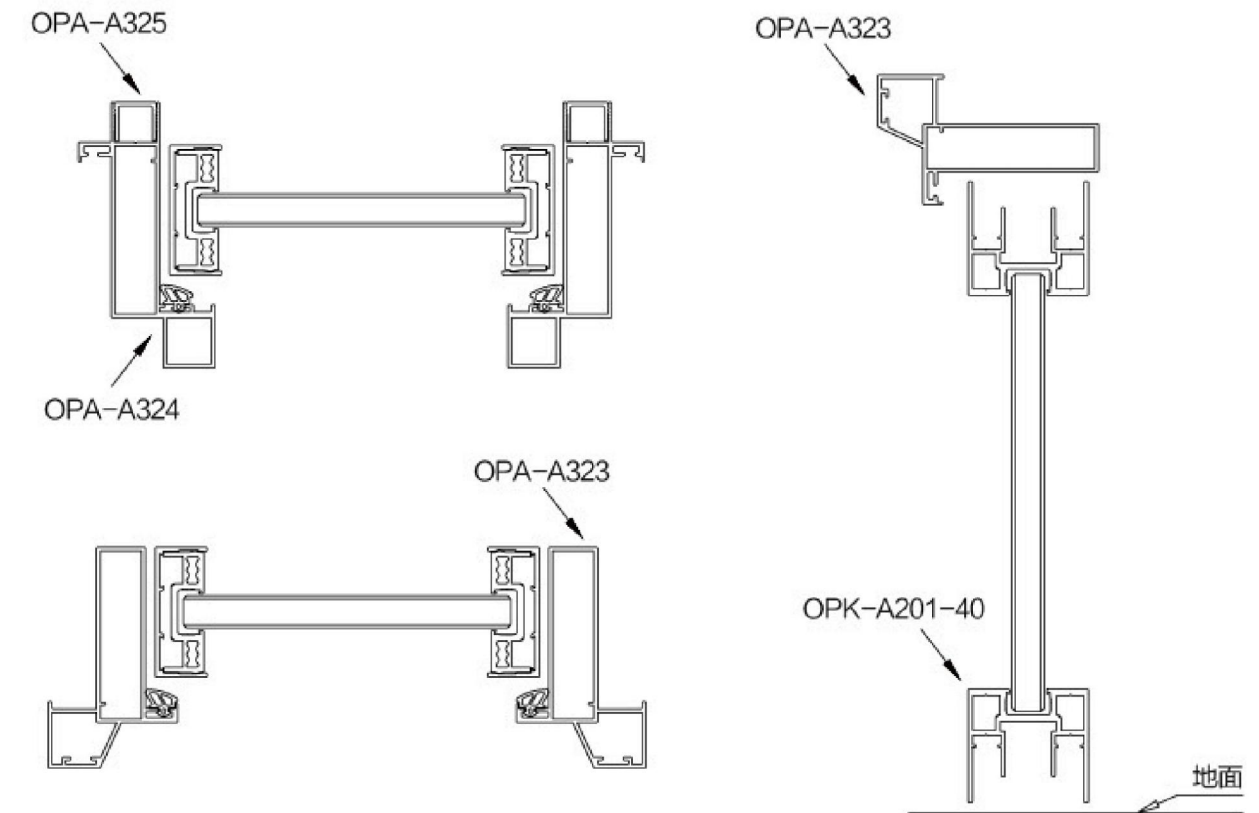
40 Common system Angle



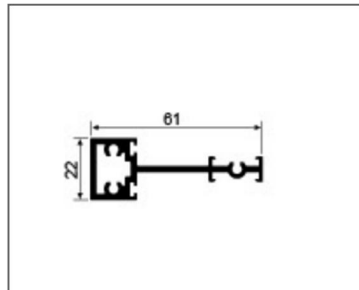
40 System conventional thin closure



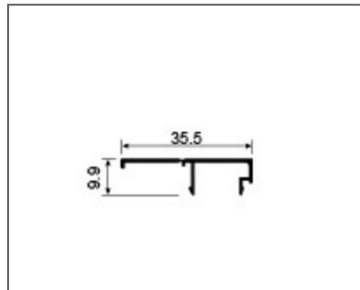
Perfect System (40 Series) Swing door



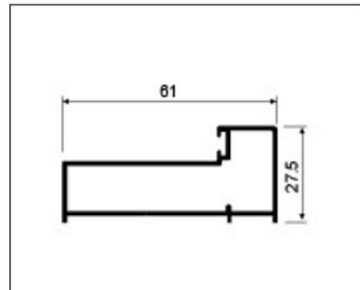
40 SWING DOOR PARTITION



Name:Center column	
Number::D-A543H	Length:6.0m
Thickness:2.2mm	Weight:0.874kg/m

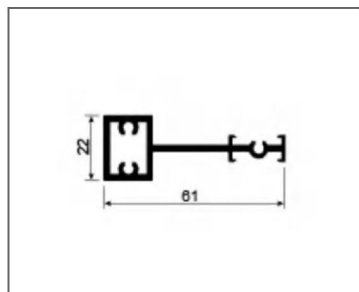


Name:Glass beading	
Number:D-A544	Length:6.0m
Thickness:1.0mm	Weight:0.153kg/m

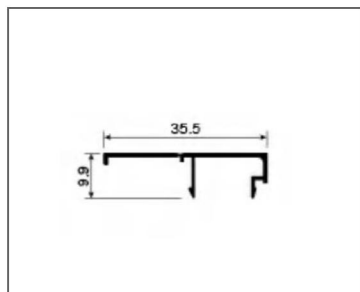


Name:Glass beading	
Number:D-A544	Length:6.0m
Thickness:1.0mm	Weight:0.153kg/m

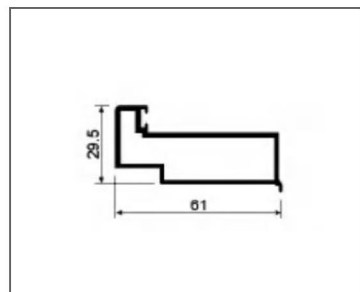
45 SWING DOOR PARTITION



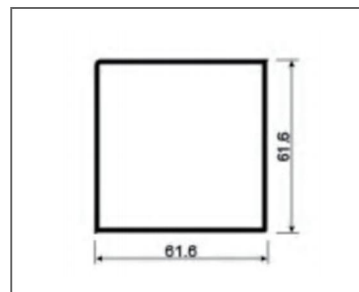
Name:Center column	
Number:D-A543	Length:4.8m
Thickness:2.2mm	Weight:0.823kg/m



Name:Line of pressure	
Number:D-A544	Length:6.0m
Thickness:1.0mm	Weight:0.153kg/m

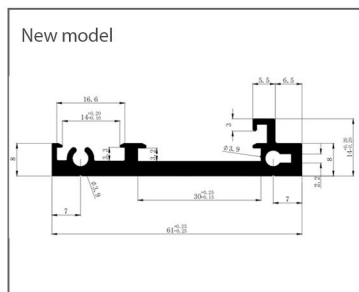


Name: Section column to hinge door column converte	
Number:D-A541	Length:6.4m
Thickness:2.0mm	Weight:0.883kg/m

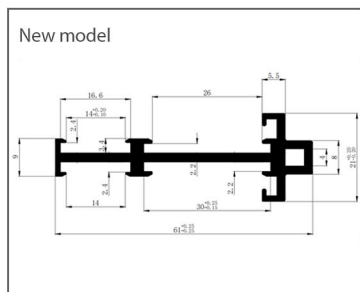


Name: 45 degrees converter	
Number:D-A545	Length:6.0m
Thickness:1.5mm	Weight:0.979kg/m

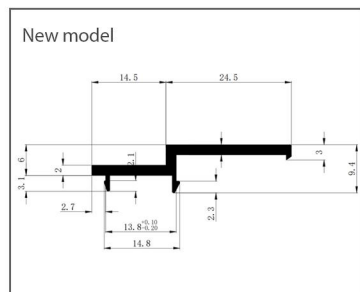
NEW PARTITION ALUMINUM PROFILE



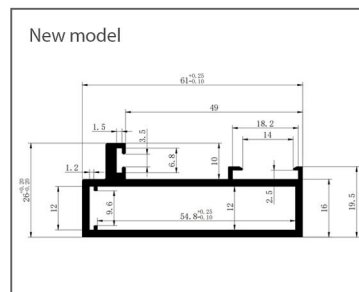
New model	
Number:X882	
Thickness:2.0mm	Weight:0.809kg/m



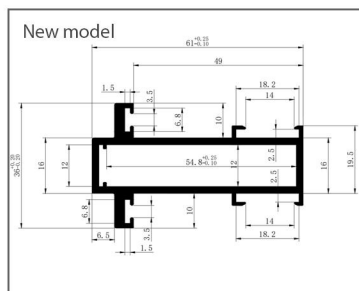
New model	
Number:X883	
Thickness:2.2mm	Weight:0.699kg/m



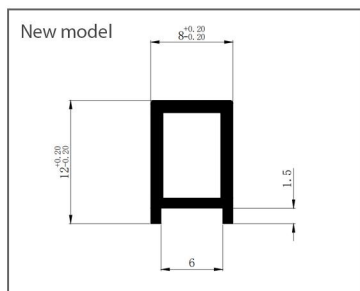
New model	
Number:X884	
Thickness:2.0mm	Weight:0.251kg/m



New model	
Number:S467	
Thickness:2.0mm	Weight:0.944kg/m



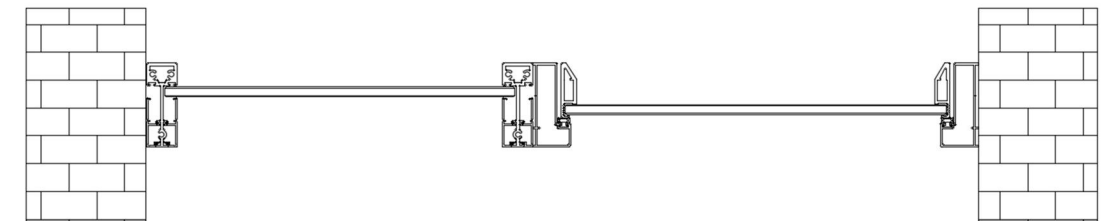
New model	
Number:S468	
Thickness:2.0mm	Weight:1.089kg/m



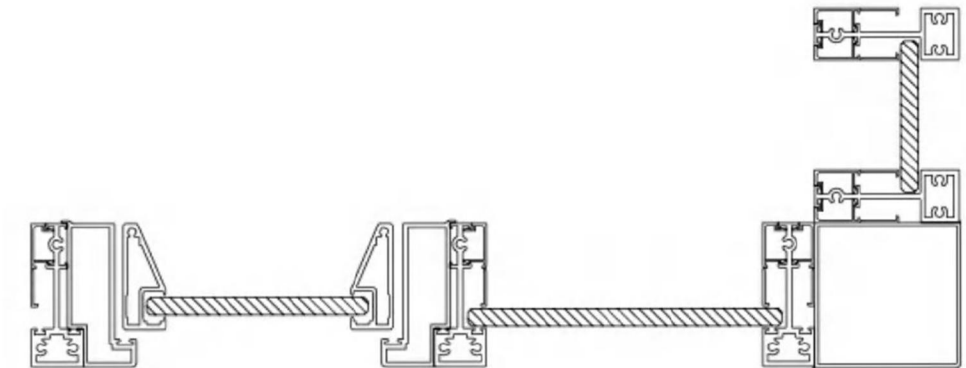
New model	
Number:S472	
Thickness:1.2mm	Weight:0.110kg/m

13 here is a slight difference between the actual weight and the weight shown in the figure.

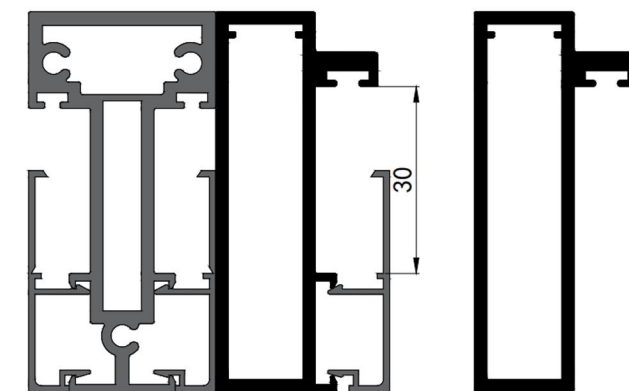
40 NEW STYLE SWING DOOR ASSEMBLY DRAWING



45 NEW STYLE SWING DOOR ASSEMBLY DRAWING



NEW PARTITION ALUMINUM PROFILE ASSEMBLY DRAWING

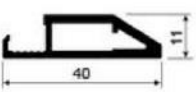


There is a slight difference between the actual weight and the weight shown in the figure 14



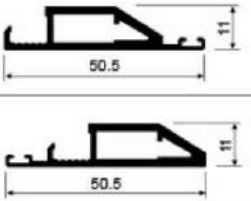
40 SERIES STYLE E

Spot Color:W-A-001,W-A-004,W-A-005,W-A-008,W-A-009
 Cost of materials: 15.5kilograms

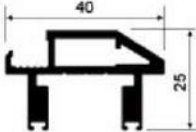


Name:Single glass door frame	
Number:SK671	Length:4.8m
Thickness:2.0mm	Weight:0.454kg/m

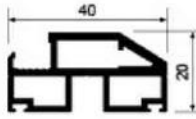
Name:Single glass door frame (with hook)	
Number:SK672	Length:4.8m
Thickness :2.0mm	Weight:0.503kg/m



Name:Single glass door frame (with hook)	
Number:SK673	Length:4.8m
Thickness:2.0mm	Weight:0.503kg/m



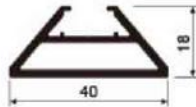
Name:Upper & lower brackets	
Number:SK674	Length:6.0m
Thickness:2.0mm	Weight:0.757kg/m



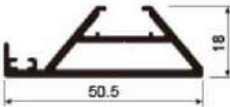
Name:Lower brackets	
Number:SK681	Length:6.0m
Thickness:2.0mm	Weight:0.727kg/m

40 SERIES STYLE F

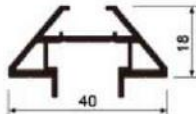
Spot Color:W-A-001,W-A-004,W-A-005,W-A-008
 Cost of materials: 15.5kilograms



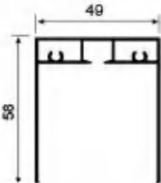
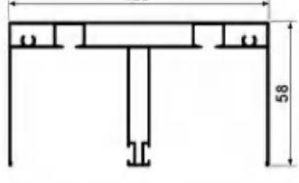
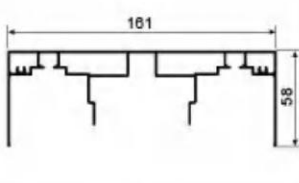
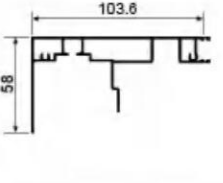
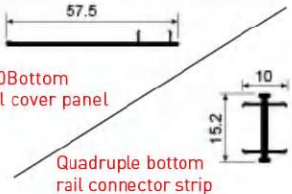
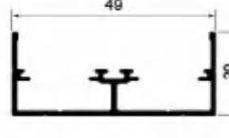
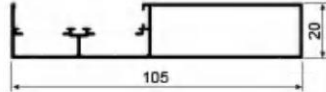
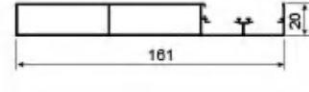
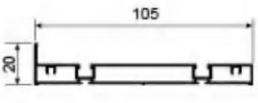
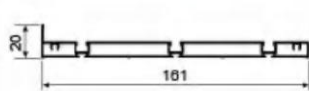
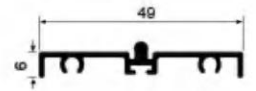
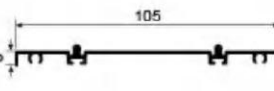
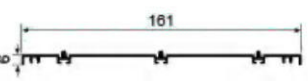
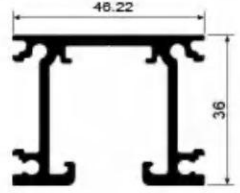
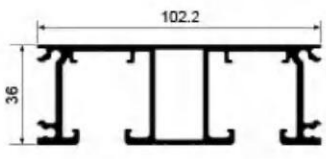
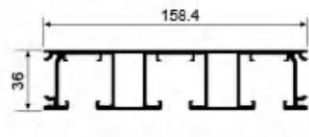
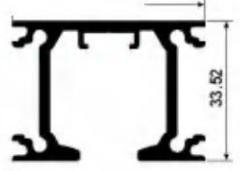
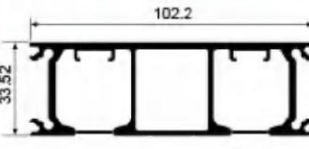
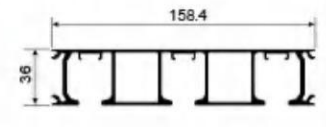
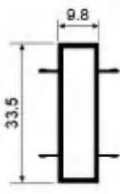
Name:Single glass door frame	
Number:SK685	Length:4.8m
Thickness:2.0mm	Weight:0.549kg/m

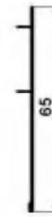
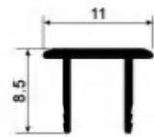
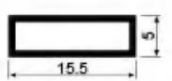
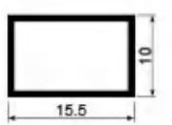
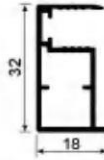
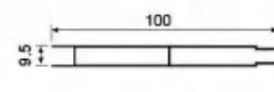
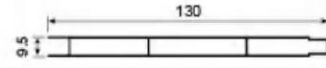
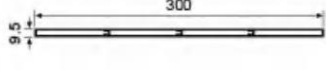
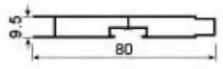
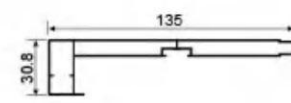
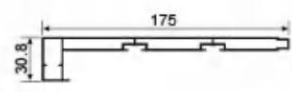
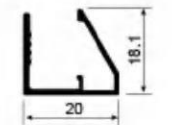
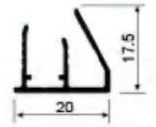
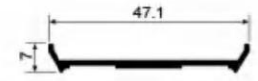
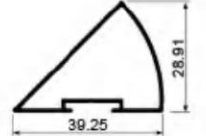
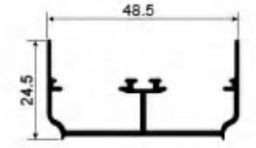
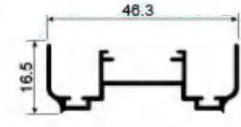
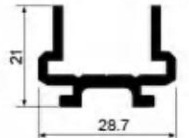


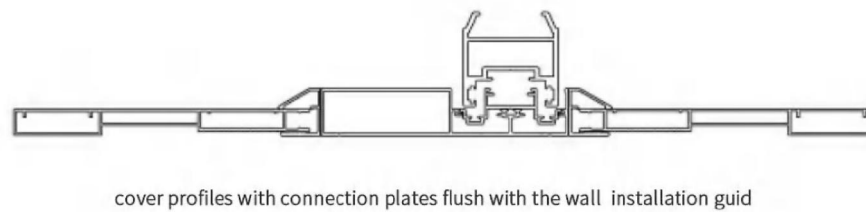
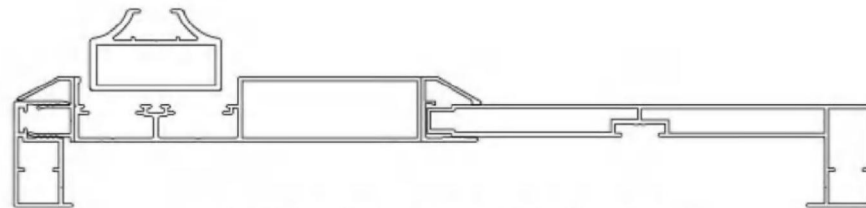
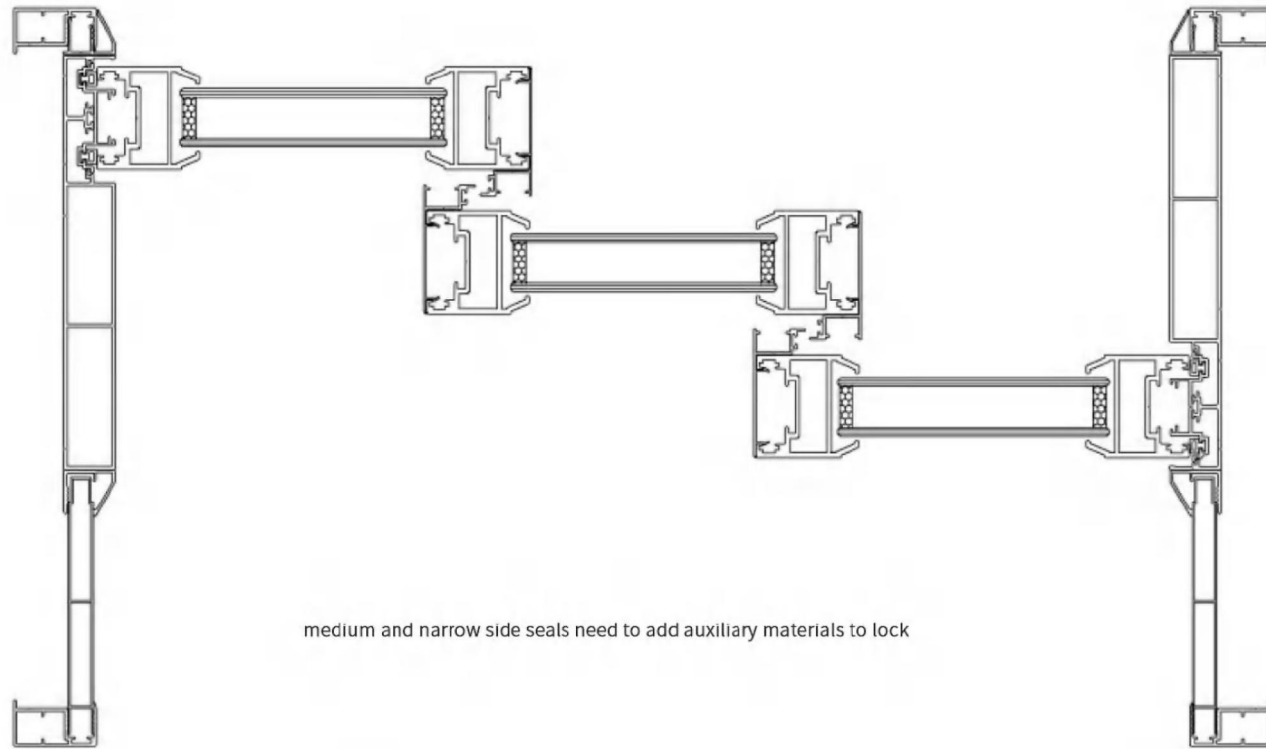
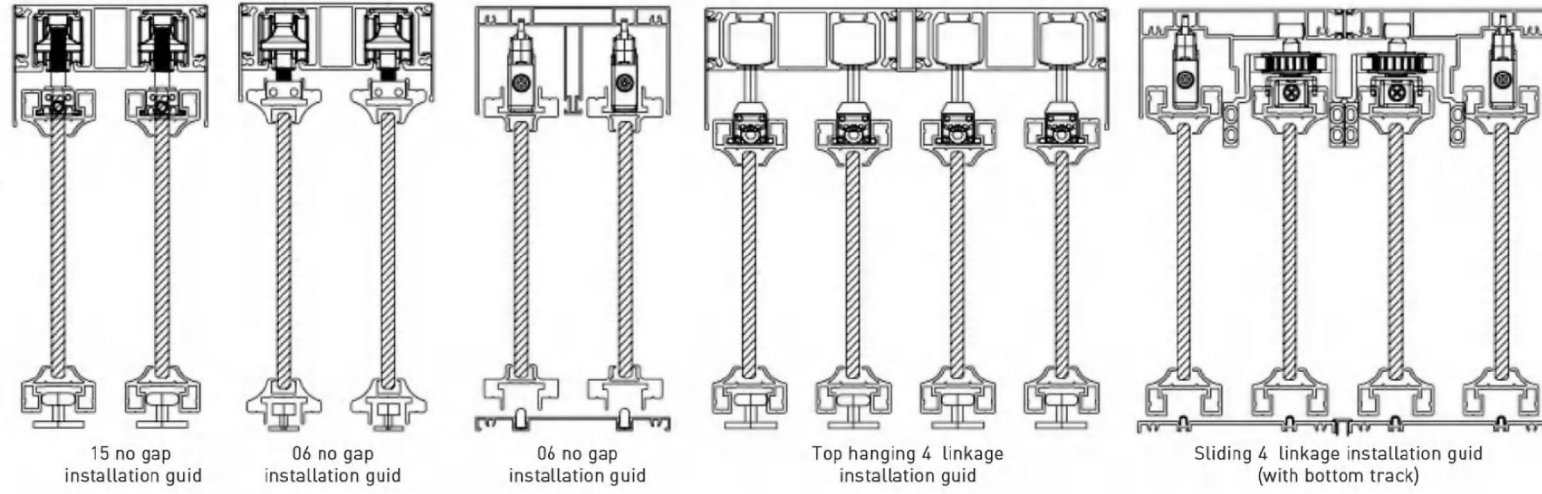
Name:Door frame (with hook)	
Number:SK686	Length:4.8m
Thickness:2.0mm	Weight:0.644kg/m

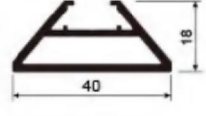
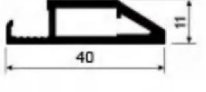
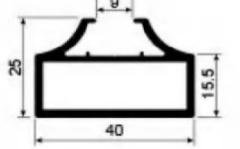
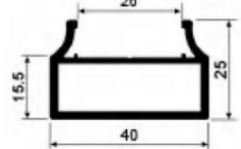
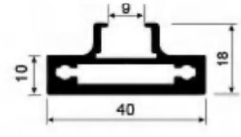
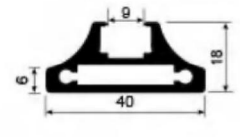
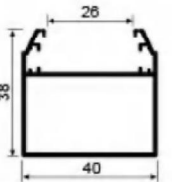
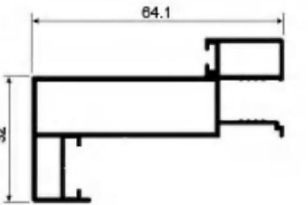
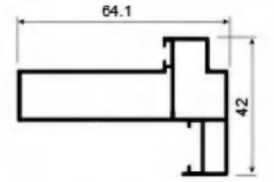
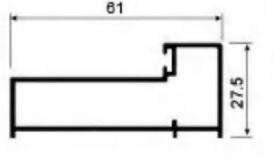
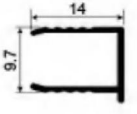
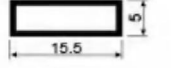
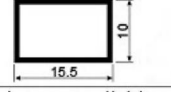
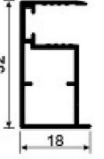
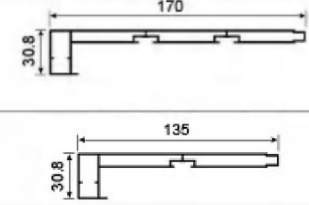
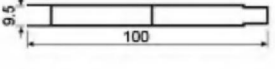

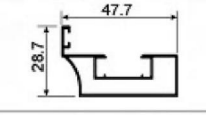
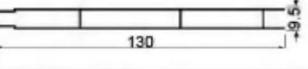
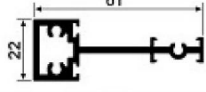
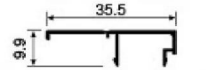
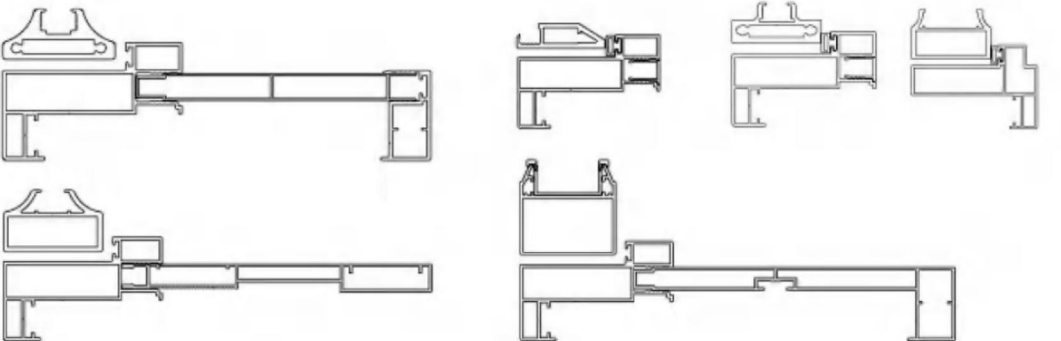


Name:Upper & lower brackets	
Number:SK687	Length:6.0m
Thickness:1.5mm	Weight:0.512kg/m

			
Name:Single bottom rail Number:SG162 Length:6.0m Thickness:1.2mm Weight:0.801kg/m	Name:Double bottom rail Number:SG158 Length:6.0m Thickness:1.2mm Weight:1.497kg/m	Name:Triple ceiling rails Number:SG159 Length:6.0m Thickness:1.35mm Weight:2.086kg/m	Name:Fourfold ceiling rails Number:SG160 Length:6.0m Thickness:1.3mm Weight:1.360kg/m
			
Name:2+0 Bottom Number:SG160A Length:6.0m Thickness:1.3mm Weight:0.217kg/m	Name:Single rail side column profile Number:BF135 Length:4.8m Thickness:1.2mm Weight:0.398kg/m	Name:Double rail side column profile Number:BF136H Length:4.8m Thickness:1.2mm Weight:0.832kg/m	Name:Triple rails side column profile Number:BF137H Length:5.2m Thickness:1.3mm Weight:1.322kg/m
SPOT COLOR:W-A-005 	SPOT COLOR:W-A-005 	Ultra-thin single bottom rail 	Ultra-thin double bottom rails 
Name: Bottom rail Number:XG125 Length:6.0m Thickness:1.2mm Weight:0.925kg/m	Name: Triple bottom rails Number:XG126 Length:6.0m Thickness:1.3mm Weight:1.427kg/m	Name:Single Bottom rail Number:XG129 Length:4.8m Thickness:1.2mm Weight:0.308kg/m	Name:Double bottom rails Number:XG127 Length:6.0m Thickness:1.3mm Weight:0.582kg/m
Ultra-thin triple bottom rails 			
Name:Triple bottom rails Number:XG128 Length:6.0m Thickness:1.6mm Weight:0.896kg/m	Name:Single hanging rail Number:SG157 Length:6.0m Thickness:2.3mm Weight:1.113kg/m	Name:Double hanging rails Number:GQ120 Length:4.8m Thickness:1.0mm Weight:0.239kg/m	Name:Triple hanging rails Number:GQ121 Length:4.8m Thickness:1.0mm Weight:0.366kg/m
			
Name:Single hanging rail Number:XG115 Length:6.0m Thickness:2.5mm Weight:1.062kg/m	Name:Double hanging rails Number:SG157 Length:6.0m Thickness:2.3mm Weight:2.015kg/m	Name:Triple hanging rails Number:SG163 Length:6.0m Thickness:2.3mm Weight:2.964kg/m	Name:Connecting strip Number:SG115A Length:6.0m Thickness:1.1mm Weight:1.025kg/m

			
Name:Wide cover panel Number:SG152A Length:6.0m Thickness:1.2mm Weight:0.238kg/m	Name:Double bottom rail Number:BF138 Length:6.0m Thickness:1.0mm Weight:0.059kg/m	Name:Window pane divider strip Number:GT062 Length:4.0m Thickness:0.8mm Weight:0.082kg/m	Name:Window pane divider strip Number:GT044 Length:4.0m Thickness:0.8mm Weight:0.104kg/m
			
Name:Trim Number:BT058 Length:6.4m Thickness:1.2mm Weight:0.345kg/m	Name:Cap Number:D-A470 Length:4.8m Thickness:0.8mm Weight:0.488kg/m	Name:Cap Number:BT060 Length:4.8m Thickness:0.8mm Weight:0.627kg/m	Name: Cap Number:BF137H Length:5.2m Thickness:1.3mm Weight:1.322kg/m
SPOT COLOR:W-A-005 	SPOT COLOR:W-A-005 	Ultra-thin single bottom rail 	Ultra-thin double bottom rails 
Name: Cap Number:BT061 Length:6.4m Thickness:0.8mm Weight:0.424kg/m	Name: Trim Number:BT056 Length:6.4m Thickness:1.1mm Weight:1.078kg/m	Name:Trim Number:BT057 Length:6.4m Thickness:1.3mm Weight:1.589kg/m	Name:Cap F strip Number:BT053 Length:4.8m Thickness:1.0mm Weight:0.288kg/m
Ultra-thin triple bottom rails 			
Name:Half Trim F strip Number:BT052 Length:4.8m Thickness:0.8mm Weight:0.424kg/m	Name:Door frame collision cover Number:SK598 Length:4.8m Thickness:1.1mm Weight:1.078kg/m	Name:45 degrees converter Number:BT053 Length:4.8m Thickness:1.0mm Weight:0.288 kg/m	Name:Door frame collision cover Number:GQ121 Length:4.8m Thickness:1.0mm Weight:0.366kg/m
Ultra-thin triple bottom rails 			
Door frame collision cover Number:SK662 Length:4.8m Thickness:1.1mm Weight:0.361kg/m	Name:Accessories of ceiling rails Number:DL-01 Length:6.0m Thickness:2.0mm Weight:0.444kg/m		



 <p>Name:Single glass door frame Number:SK685 Length:6.2m Thickness:2.0mm Weight:0.549kg/m</p>	 <p>Name:Single glass door frame Number:SK671 Length:6.2m Thickness:2.0mm Weight:0.454kg/m</p>	 <p>Name:Single glass door frame Number:SK639 Length:6.2m Thickness:2.0mm Weight:0.686kg/m</p>	 <p>Name:Double glass door frame Number:SK645 Length:6.2m Thickness:2.0mm Weight:0.645kg/m</p>
 <p>Name:Single glass door frame Number:SK648 Length:6.2m Thickness:2.7mm Weight:0.748kg/m</p>	 <p>Name:Single glass door frame Number:SK633 Length:6.2m Thickness:2.0mm Weight:0.727kg/m</p>	 <p>Name:Door frame Number:SK635 Length:6.2m Thickness:1.3mm Weight:0.590kg/m</p>	 <p>Name:Trim's back frame Number:D-A562 Length:6.4m Thickness:1.2mm Weight:0.814kg/m</p>
 <p>Name: Front trim Number:D-A653H Length:6.4m Thickness:1.2mm Weight:0.800kg/m</p>	 <p>Name: Front trim Number:D-A566 Length:6.4m Thickness:1.2mm Weight:0.609kg/m</p>	 <p>Name:Inner side trim Number:D-A550 Length:6.4m Thickness:1.0mm Weight:0.088kg/m</p>	<p>Name:Window pane divider strip Number:GT062 Length:4.0m Thickness:0.8mm Weight:0.082kg/m</p>  <p>Name:Window pane divider strip Number:GT044 Length:4.0m Thickness:0.8mm Weight:0.104kg/m</p> 
 <p>Name:Trim Number:BT057 Length:6.4m Thickness:1.1mm Weight:1.589kg/m</p>	 <p>Name:Trim Number:BT056 Length:6.4m Thickness:1.1mm Weight:1.078kg/m</p>	<p>Name:Cap Number:D-A470 Length:4.8/m Thickness:1.1mm Weight:0.488kg/m</p>  <p>Name:Cap Number:BT061 Length:6.4m Thickness:0.8mm Weight:0.424kg/m</p> 	<p>Name:Door frame collision cover Number:SK599 Length:4.8m Thickness:1.1mm Weight:0.437kg/m</p>  <p>Name:Cap Number:BT060 Length:6.4m Thickness:0.8mm Weight:0.627kg/m</p> 
<p>Name:Center column Number:D-A543H Length:6.0m Thickness:2.2mm Weight:0.874kg/m</p>  <p>Name:Glass beading Number:D-A544 Length:6.0m Thickness:1.0mm Weight:0.153kg/m</p> 			



45 SERIES STYLE 6 SEAMLESS

Spot Color: W-A-001,W-A-002,W-A-005,W-A-006,W-A-008
 Cost of materials: 18 kilograms



45 SERIES STYLE H MICROFISSURE

Spot Color: W-A-001,W-A-002,W-A-005,W-A-006,W-A-008
 Cost of materials: 18 kilograms

45 SERIES STYLE A 1.6 CENTER

Spot Color: W-A-001,W-A-002,W-A-005,
 W-A-008,W-A-010, W-A-011
 Cost of materials: 18 kilograms



45 SERIES B STYLE

Spot Color: W-A-001,W-A-002,W-A-005,
 W-A-006,W-A-008,W-A-010,
 W-A-011

New popular colors:
W-A-001,W-A-002,W-A-006

Cost of materials: 17 kilograms



45 SERIES STYLE C 5.0 SOLID THICKNESS

Spot Color: W-A-005,W-A-008,W-A-011
 Cost of materials: 22 kilograms



45 SERIES E STYLE BOLONI

Spot Color: W-A-001,W-A-002,W-A-005,W-A-006,W-A-008
 Cost of materials: 17 kilograms

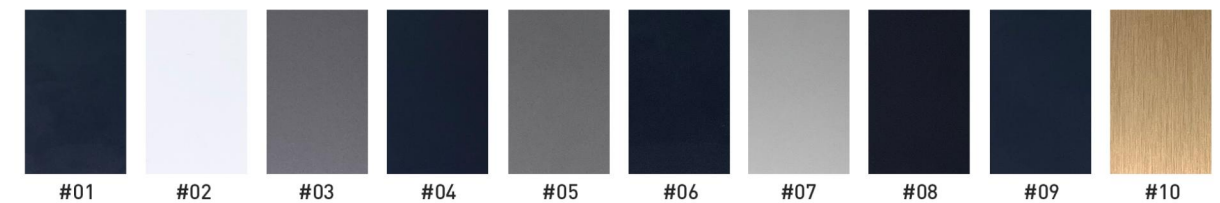


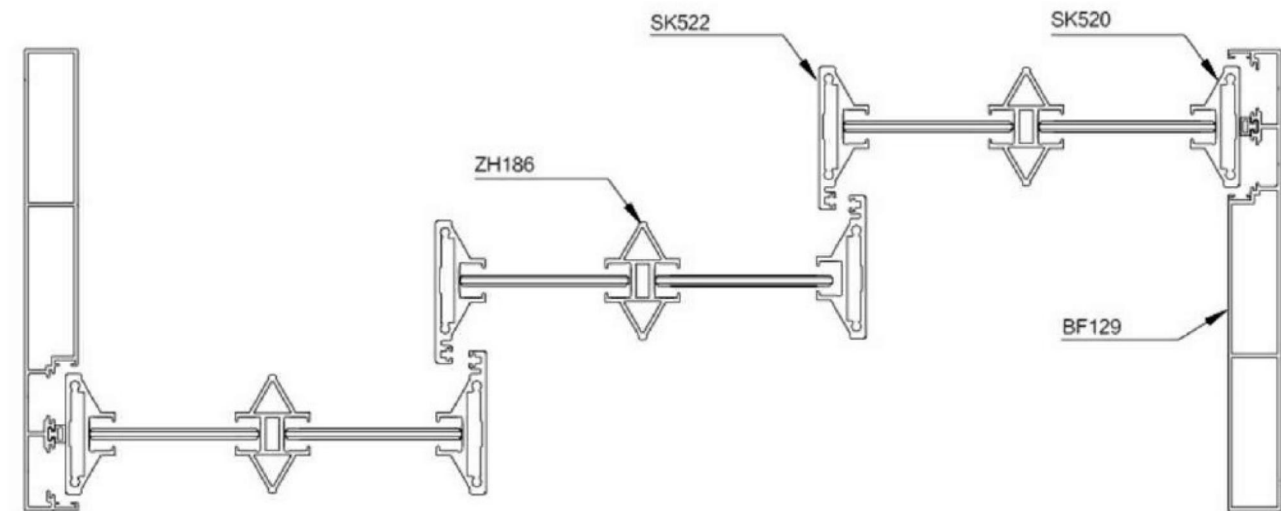
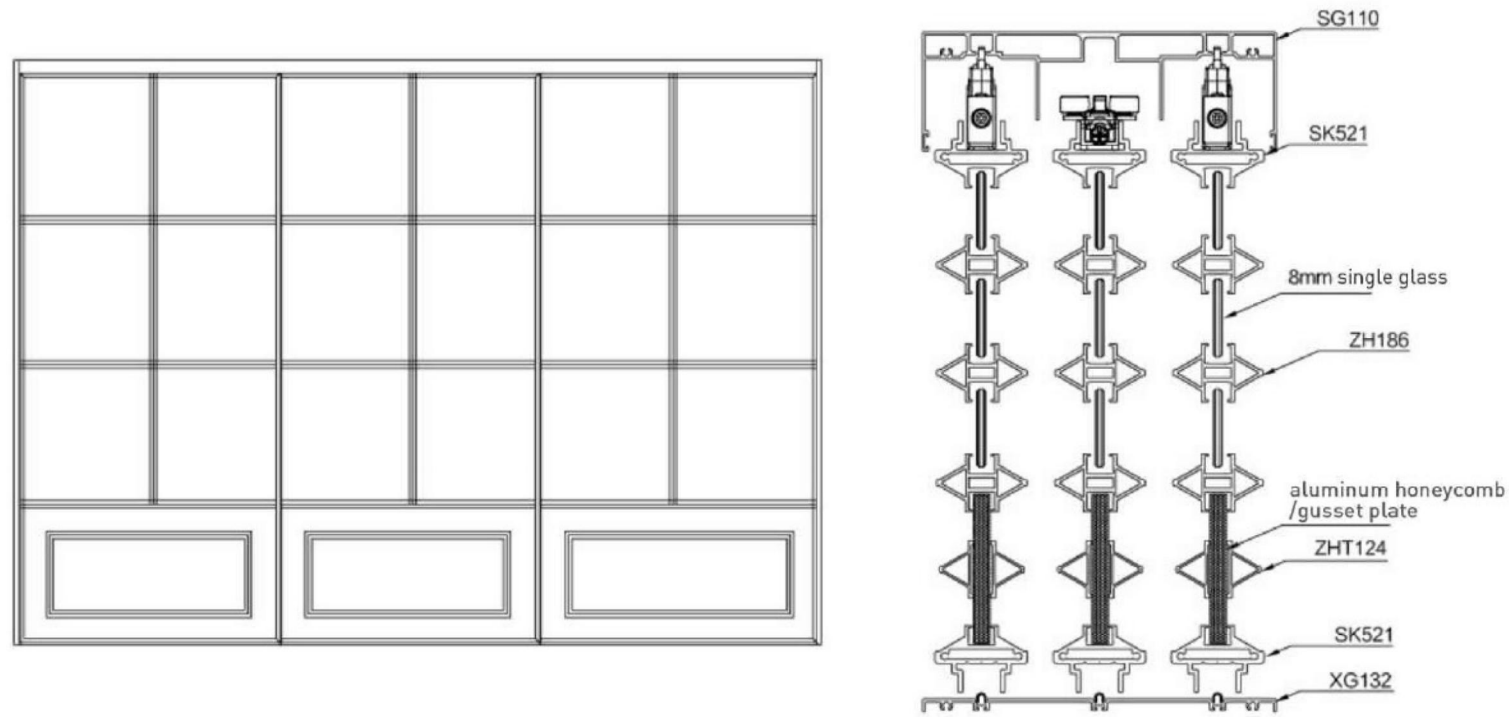
45 SERIES 1 STYLE 1.2 SOLID

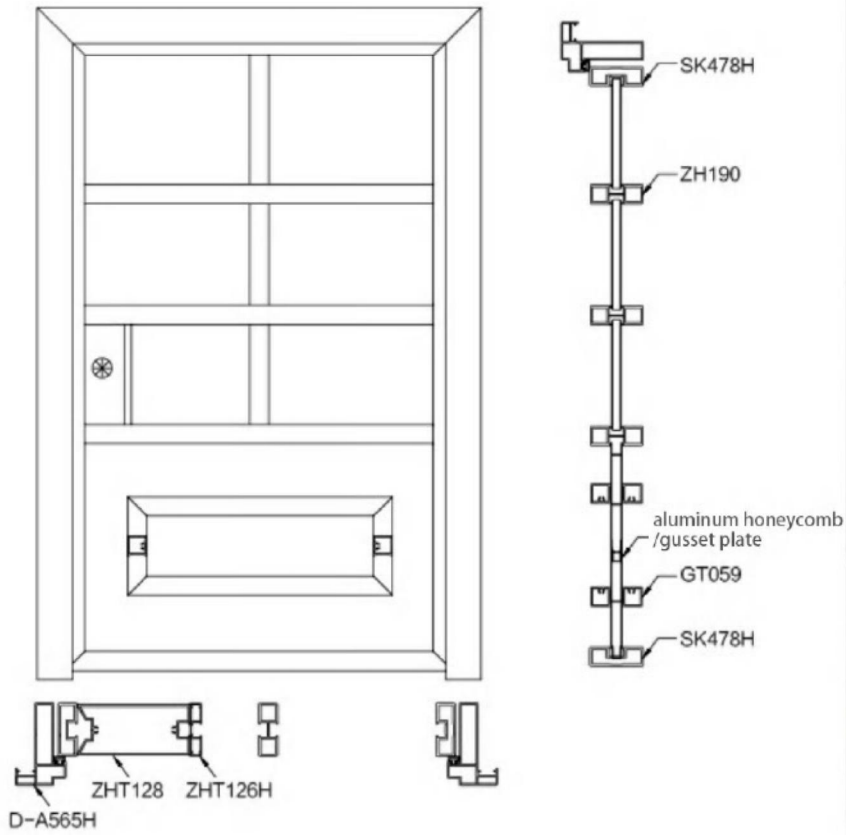
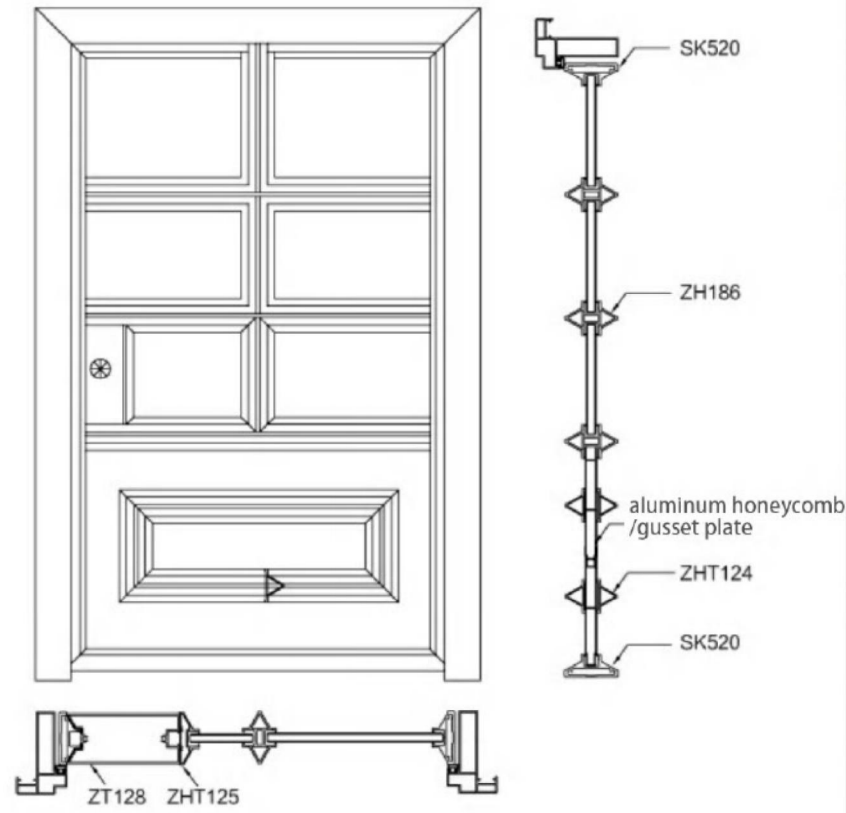
Spot Color: W-A-001,W-A-002,W-A-005,W-A-006,W-A-008
 Cost of materials: 23 kilograms



45 SERIES SPOT COLOR:

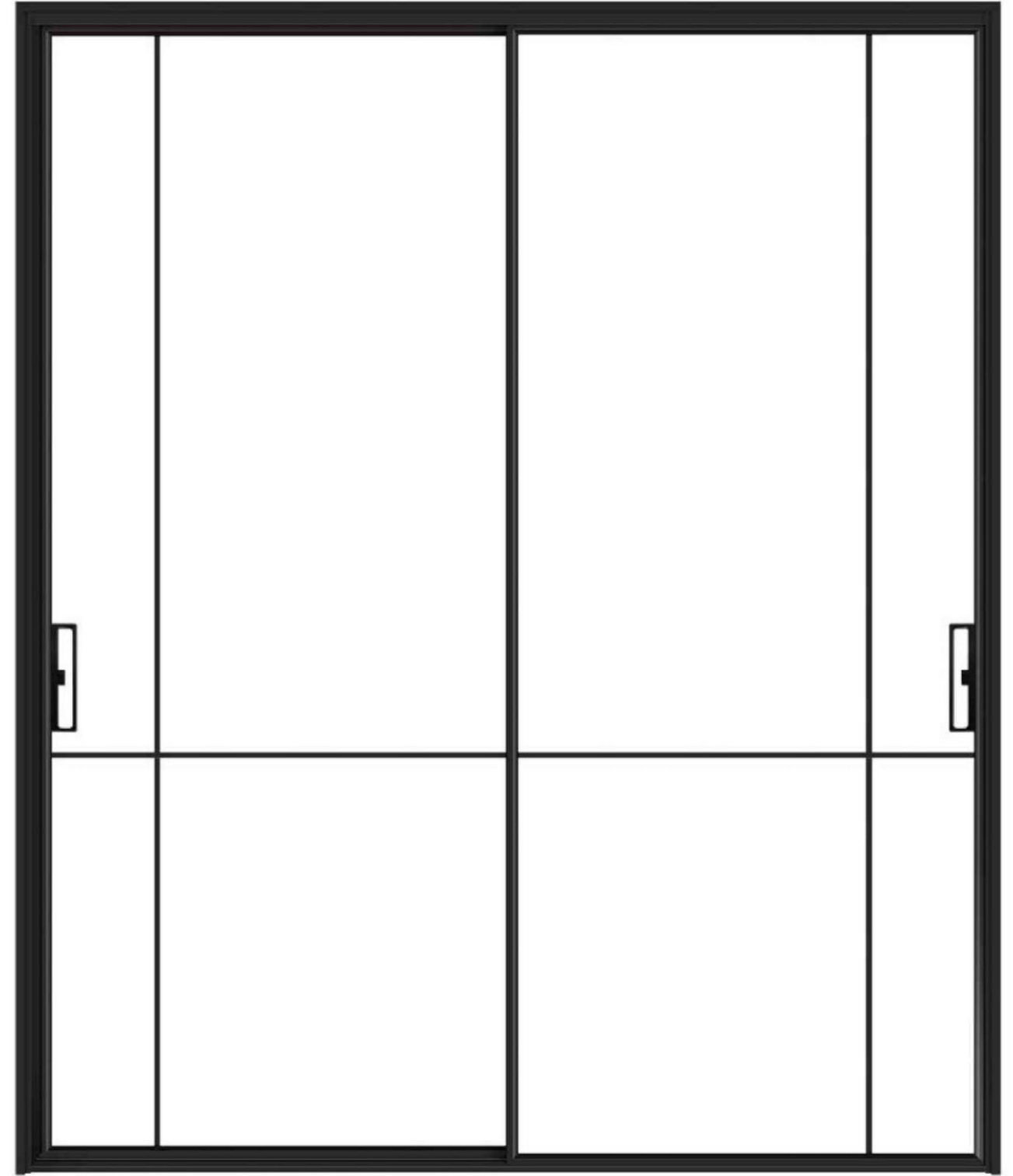




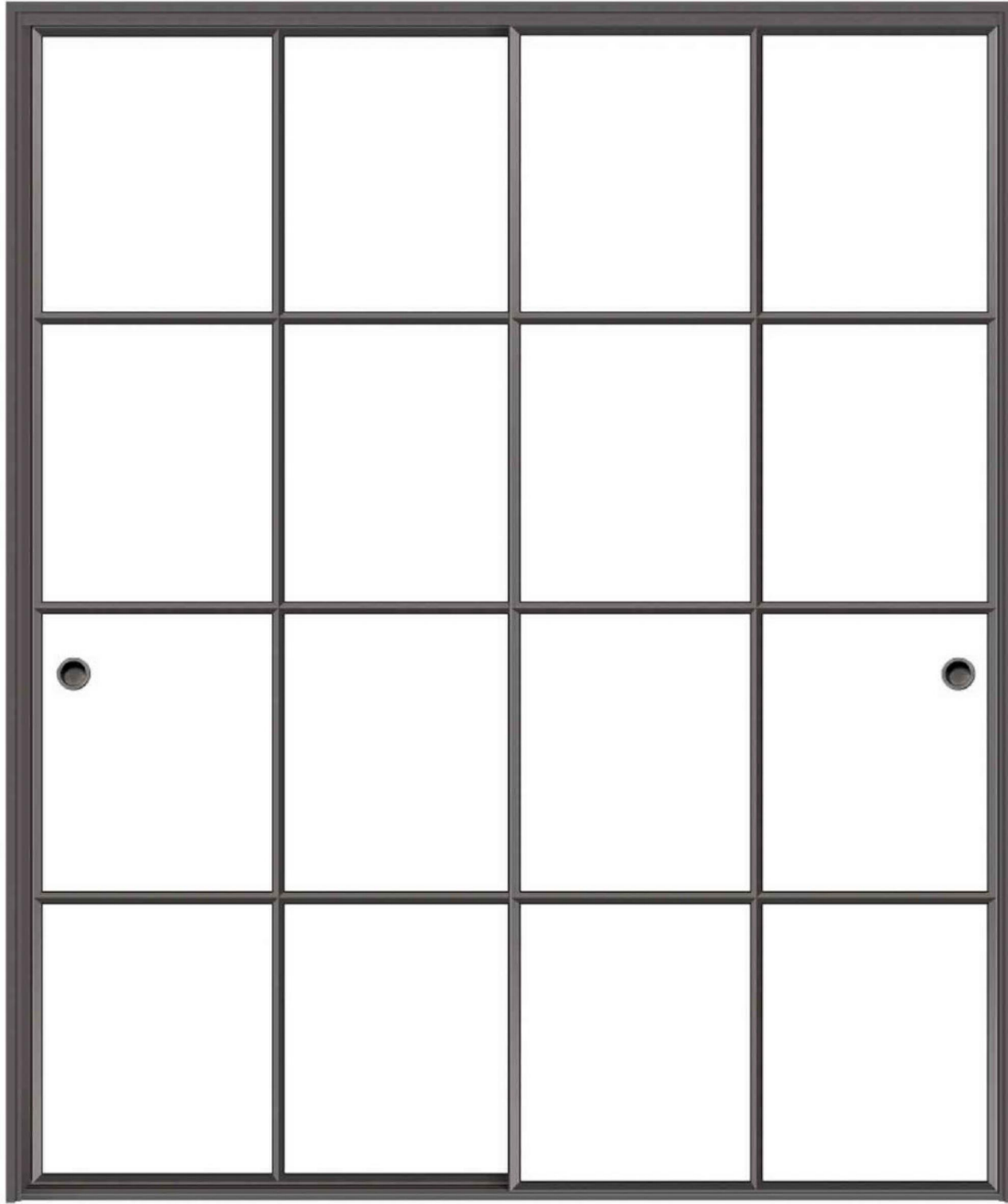




COLOR:W-A-002(G style 15 Seamless /single glass)

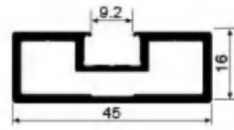
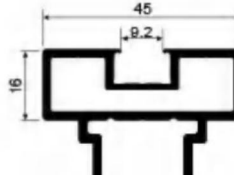
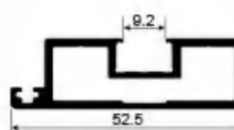
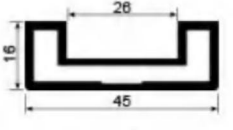
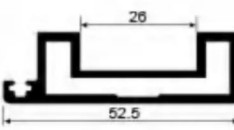
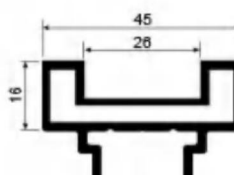
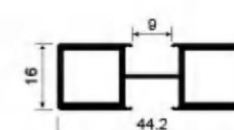
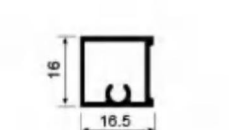


COLOR:W-A-005(G style 15 Seamless /single glass)

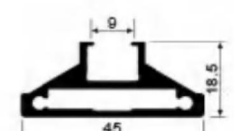
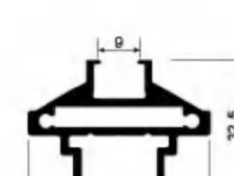
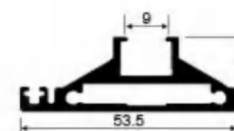

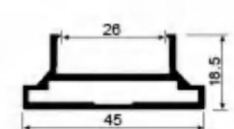
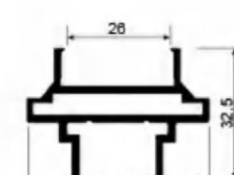
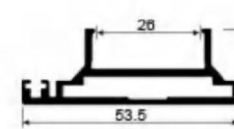
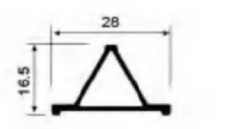


COLOR:W-A-001(E style)

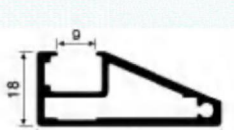
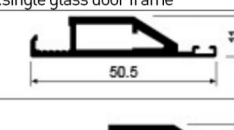

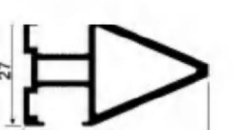


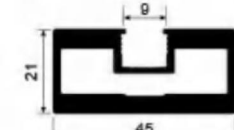
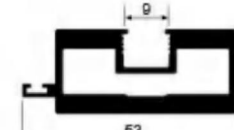

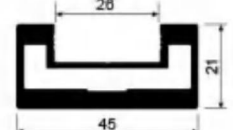
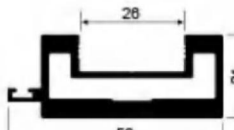
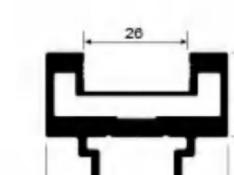
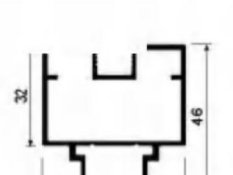
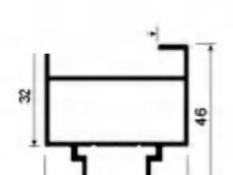
			
Name:Single glass door frame Number:SK487H Length:4.8m Thickness:2.0mm Weight:0.664kg/m	Name:Single glass door upper & lower brackets Number:SK479H Length:6.0m Thickness:2.0mm Weight:0.859kg/m	Name:Single glass door frame (with hook) Number:SK480H Length:4.8m Thickness:2.0mm Weight:0.733kg/m	Name:Double glass door frame Number:SK557 Length:4.8m Thickness:2.0mm Weight:0.652kg/m
			
Name:Double glass door frame (with hook) Number:SK558 Length:4.8m Thickness:2.0mm Weight:0.737kg/m	Name:Double glass upper & lower brackets Number:SK559 Length:6.0m Thickness:2.0mm Weight:0.852kg/m	Name:Decorative strip (for glass) Number:ZH190 Length:4.8m Thickness:1.4mm Weight:0.577kg/m	Name:Decorative strip (for glass) Number:GT059 Length:6.0m Thickness:1.1mm Weight:0.21kg/m

B STYLE 6MM DOOR LEAF MATERIAL

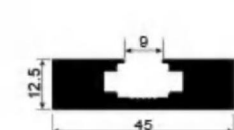
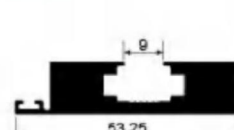
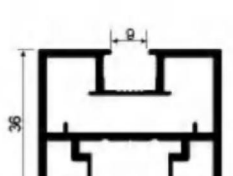
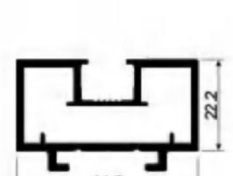
			
Name:Single glass door frame Number:SK520 Length:4.8m Thickness:2.0mm Weight:0.698kg/m	Name:Single glass door upper & lower brackets Number:SK521 Length:6.0m Thickness:2.0mm Weight:0.893kg/m	Name:Single glass door frame (with hook) Number:SK522 Length:4.8m Thickness:2.0mm Weight:0.784kg/m	Name:Decorative strip (for aluminum) Number:ZH186 Length:6.0m Thickness:2.0mm Weight:0.649kg/m
			
Name:Double glass door frame Number:SK543H Length:4.8m Thickness:2.0mm Weight:0.647kg/m	Name:Double glass upper & lower brackets Number:SK544H Length:6.0m Thickness:2.0mm Weight:0.808kg/m	Name:Double glass door frame (with hook) Number:SK545H Length:4.8m Thickness:2.0mm Weight:0.698kg/m	Name:Decorative strip (for glass) Number:ZHT124 Length:6.0m Thickness:1.0mm Weight:0.196kg/m

BOLONI STYLE DOOR LEAF MATERIAL

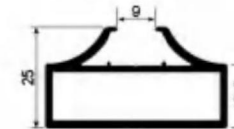
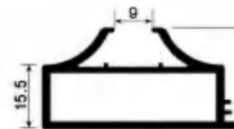
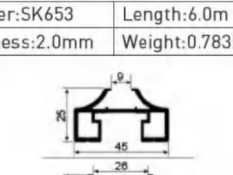
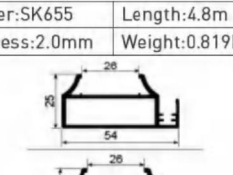
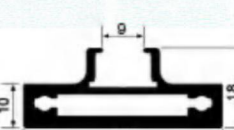
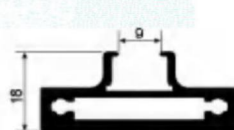


			
Name:Single glass door frame Number:SK561 Length:4.8m Thickness:2.0mm Weight:0.634kg/m	Name:Single glass door frame Number:SK672 Length:4.8m Thickness:2.0mm Weight:0.503kg/m	Name:Single glass door upper & lower brackets Number:SK673 Length:4.8m Thickness:2.0mm Weight:0.503kg/m	Name:Decorative strip (for aluminum) Number:ZH187 Length:6.0m Thickness:2.0mm Weight:0.696kg/m

			
Name:Single glass door frame Number:SK524 Length:4.8m Thickness:5.0mm Weight:1.289kg/m	Name:Single glass door frame (with hook) Number:SK525 Length:4.8m Thickness:5.0mm Weight:1.335kg/m	Name:Single glass door upper & lower brackets Number:SK526 Length:6.0m Thickness:5.0mm Weight:1.471kg/m	Name:Double glass door frame Number:SK527 Length:4.8m Thickness:5.0mm Weight:1.136kg/m
			
Name:Double glass door frame (with hook) Number:SK528 Length:4.8m Thickness:5.0mm Weight:1.182kg/m	Name:Double glass upper & lower brackets Number:SK529 Length:6.0m Thickness:5.0mm Weight:1.319kg/m	Name:Upper & lower brackets Number:SK548 Length:6.0m Thickness:1.5mm Weight:0.861kg/m	Name:Double glass upper & lower brackets Number:SK547 Length:6.0m Thickness:1.5mm Weight:0.861kg/m

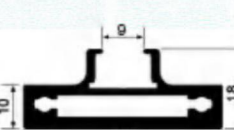
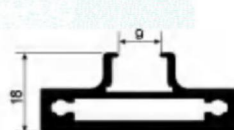

F STYLE 12 SOLID DOOR LEAF MATERIAL

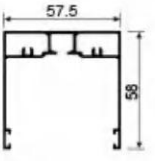
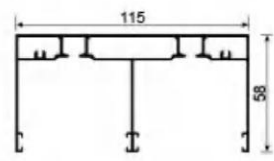
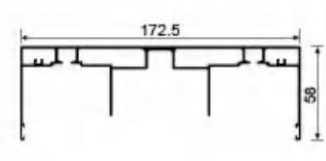
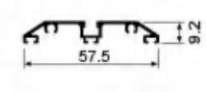
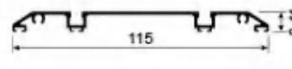
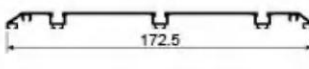
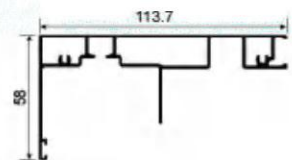
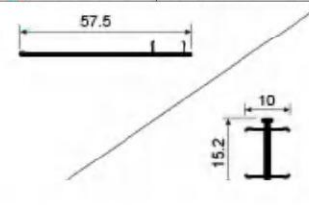
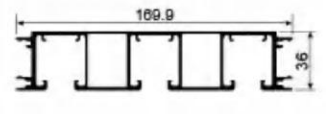
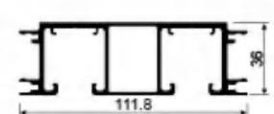
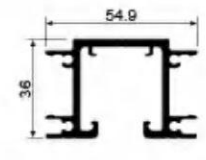
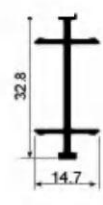
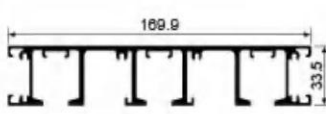
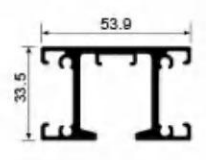
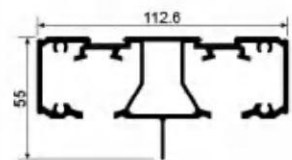
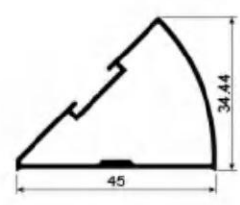
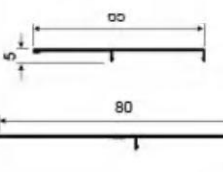
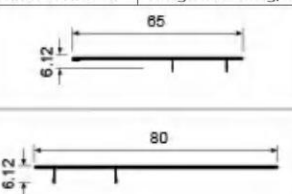
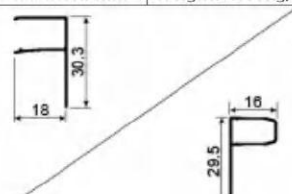
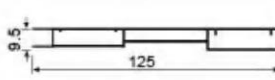
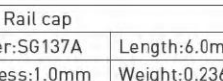
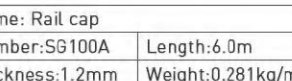
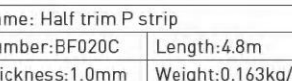
			
Name:Single glass door frame Number:SK569 Length:4.8m Thickness:solid Weight:1.115kg/m	Name:Single glass door frame (with hook) Number:SK570 Length:4.8m Thickness:solid Weight:1.151kg/m	Name:Single glass door upper Number:SK571 Length:6.0m Thickness:2.0mm Weight:1.139kg/m	Name:Single glass door lower brackets Number:SK572 Length:6.0m Thickness:2.0mm Weight:0.869kg/m

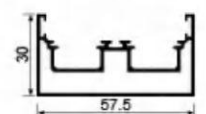
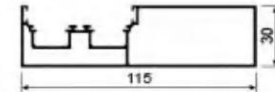
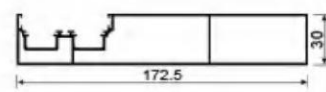
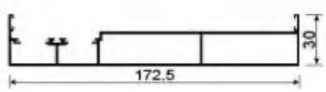
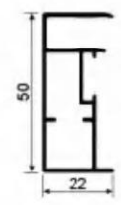
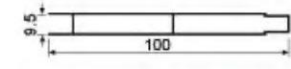
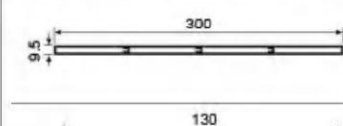
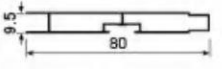
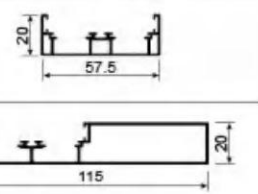
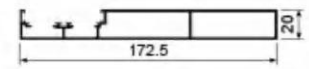
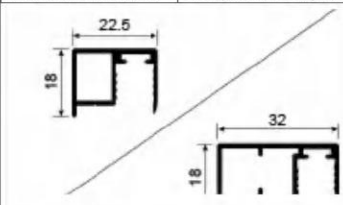
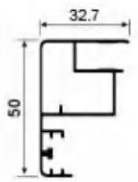
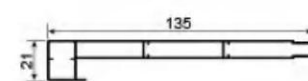
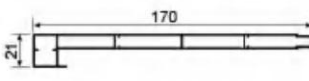
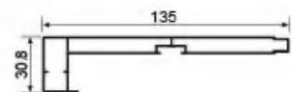
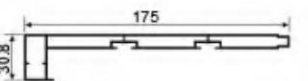
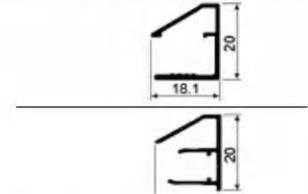
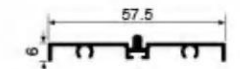
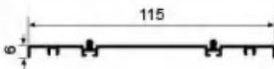
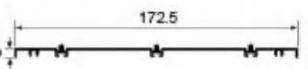
G STYLE SEAMLESS LOWER BRACKETS DOOR LEAF MATERIAL

			
Name:Single glass door frame Number:SK651 Length:4.8m Thickness:2.0mm Weight:0.744kg/m	Name:Single glass door frame Number:SK652 Length:4.8m Thickness:2.0mm Weight:0.859kg/m	Name:Single glass door frame (with hook) Number:SK653 Length:6.0m Thickness:2.0mm Weight:0.783kg/m	Name:Double glass door frame (with hook) Number:SK655 Length:4.8m Thickness:2.0mm Weight:0.819kg/m
			
Name:Double glass door frame (with hook) Number:SK654 Length:4.8m Thickness:2.0mm Weight:0.703kg/m	Name:Double glass door frame (with hook) Number:SK654 Length:4.8m Thickness:2.0mm Weight:0.703kg/m	Name:Double glass door frame (with hook) Number:SK654 Length:4.8m Thickness:2.0mm Weight:0.703kg/m	Name:Double glass upper & lower brackets Number:SK656 Length:6.0m Thickness:2.0mm Weight:0.742kg/m

H STYLE MICRO-SEAM LOWER BRACKETS DOOR LEAF MATERIAL

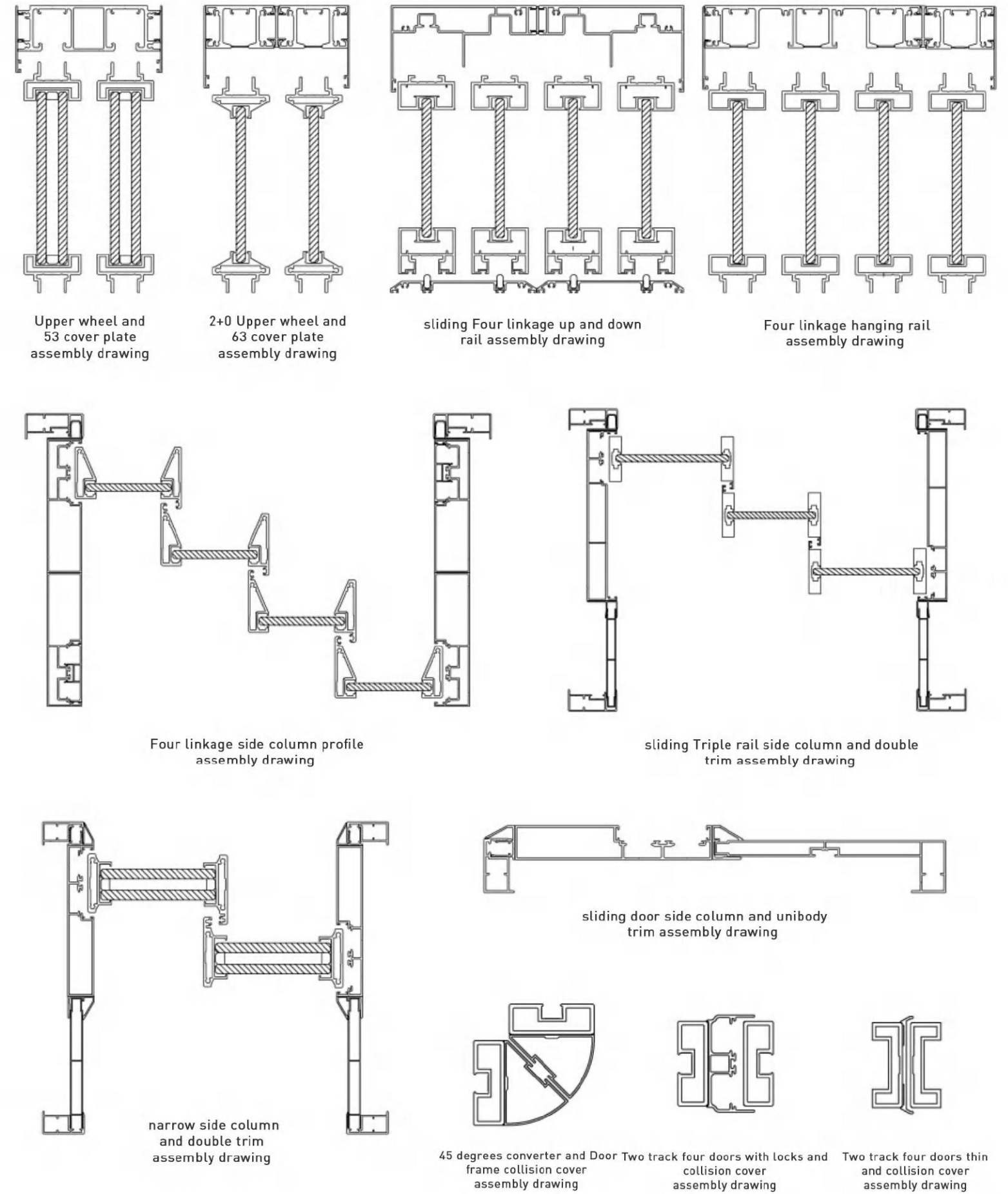
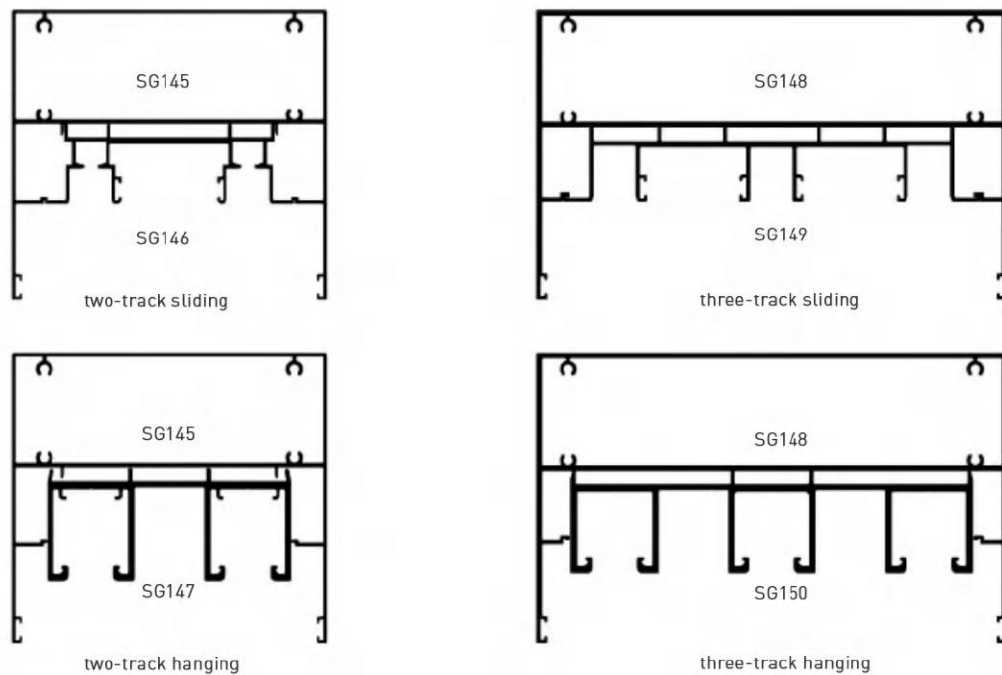
		
Name:Door frame Number:SK657 Length:4.8m Thickness:2.7mm Weight:0.816kg/m	Name:Door frame (with hook) Number:SK658 Length:4.8m Thickness:2.7mm Weight:0.902kg/m	Name:Upper & lower brackets Number:SK659 Length:6.0m Thickness:2.7mm Weight:0.903kg/m

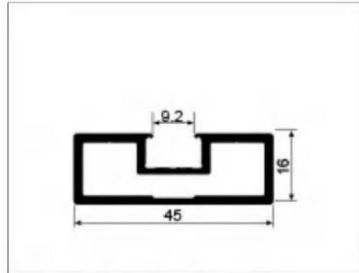
			
Name:Single ceiling rails Number:SG112 Length:6.0m Thickness:1.2mm Weight:0.907kg/m	Name:Double ceiling rails Number:SG113 Length:6.0m Thickness:1.2mm Weight:1.558kg/m	Name:Triple ceiling rails Number:SG110 Length:6.0m Thickness:1.4mm Weight:2.22kg/m	Name:Fourfold ceiling rails Number:XG103 Length:6.0m Thickness:1.2mm Weight:0.376kg/m
		SPOT COLOR: W-A-001 W-A-005 	
Name:Double bottom rail Number:XG102 Length:6.0m Thickness:1.2mm Weight:0.626kg/m	Name:Triple bottom rail Number:XG104 Length:6.0m Thickness:1.3mm Weight:0.924kg/m	Name:Fourfold bottom rail Number:SG161 Length:6.0m Thickness:1.4mm Weight:1.447kg/m	Name:2+0 Cover panel Number:SG160A Length:4.8m Thickness:1.3mm Weight:0.217kg/m
			
Name: Triple bottom rail Number:SG128 Length:6.0m Thickness:2.5mm Weight:3.127kg/m	Name: Double bottom rail Number:SG127 Length:6.0m Thickness:2.5mm Weight:1.83kg/m	Name:Bottom rail Number:SG129 Length:6.0m Thickness:2.5mm Weight:1.197kg/m	Name: Connecting strip Number:SG160B Length:6.0m Thickness:1.6mm Weight:0.099kg/m
			
Name: Triple hanging rail Number:SG100 Length:6.0m Thickness:2.5mm Weight:3.277kg/m	Name: Triple bottom rails Number:SG106 Length:6.0m Thickness:2.5mm Weight:1.224kg/m	Name:Double ceiling rails Number:SG093 Length:6.0m Thickness:2.5mm Weight:2.561kg/m	Name:45 degrees converter Number:SK490 Length:4.8m Thickness:1.0mm Weight:0.387kg/m
			
Name: Rail cap Number:SG154A Length:6.0m Thickness:1.2mm Weight:0.216kg/m	Name: Rail cap Number:SG152A Length:6.0m Thickness:1.2mm Weight:0.238kg/m	Name: Trim F Strip Number:BF020B Length:4.8m Thickness:1.2mm Weight:0.166kg/m	Name:Cap Number:D-A557H Length:6.4m Thickness:1.0mm Weight:0.790kg/m
			
Name: Rail cap Number:SG137A Length:6.0m Thickness:1.0mm Weight:0.236kg/m	Name: Rail cap Number:SG100A Length:6.0m Thickness:1.2mm Weight:0.281kg/m	Name: Half trim P strip Number:BF020C Length:4.8m Thickness:1.0mm Weight:0.163kg/m	

			
Name:Single rail side column profile Number:BF115 Length:4.8m Thickness:1.1mm Weight:0.723kg/m	Name:Double rail side column profile Number:BF113 Length:4.8m Thickness:1.2mm Weight:1.154kg/m	Name:Triple rail side column profile Number:BF114H Length:5.2m Thickness:1.4mm Weight:1.873kg/m	Name:Triple rail side column profile Number:BF127 Length:5.2m Thickness:1.4mm Weight:1.64kg/m
			
Name:Trim Number:H682A Length:6.4m Thickness:1.1mm Weight:0.5kg/m	Name:Cap Number:D-A470 Length:4.8m Thickness:0.8mm Weight:0.488kg/m	Name:Cap Number:BT064 Length:5.4m Thickness:2.1mm Weight:1.447kg/m	Name:Cap Number:SG160B Length:6.4m Thickness:0.8mm Weight:0.424kg/m
			
Name: Single rail side column profile Number:BF133 Length:4.8m Thickness:1.1mm Weight:0.529kg/m	Name: Triple rail side column profile Number:SG-129 Length:5.2m Thickness:1.4mm Weight:1.533kg/m	Name:Trim Number:D-A548H Length:6.0m Thickness:2.5mm Weight:0.345kg/m	Name:Trim Number:D-A531A Length:6.4m Thickness:0.95mm Weight:0.521kg/m
			
Name: Ultra-thin unibody trim Number:BT054 Length:6.4m Thickness:1.1mm Weight:1.025kg/m	Name: Ultra-thin unibody trim Number:BT055 Length:6.4m Thickness:1.3mm Weight:1.435kg/m	Name: Ultra-thin unibody trim Number:BT056 Length:6.4m Thickness:1.1mm Weight:1.078kg/m	Name: Ultra-thin unibody trim Number:BT057 Length:6.4m Thickness:1.3mm Weight:1.589kg/m
			
Name: Trim F Strip Number:BT053 Length:4.8m Thickness:1.0mm Weight:0.288kg/m	Name:Single bottom rail Number:XG130 Length:6.0m Thickness:1.2mm Weight:0.334kg/m	Name: Double bottom rail Number:XG131 Length:6.0m Thickness:1.2mm Weight:0.614kg/m	Name:Triple bottom rail Number:XG132 Length:6.0m Thickness:1.4mm Weight:0.936kg/m

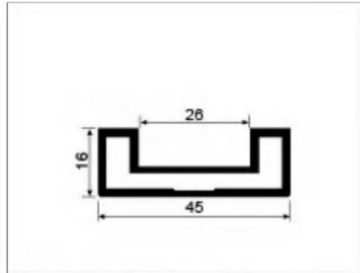
Name:Door frame collision cover Number:SK485A Length:4.8m Thickness:1.0mm Weight:0.497kg/m	Name:Door frame collision cover Number:SK577 Length:6.0m Thickness:2.0mm Weight:0.254kg/m	Name:Window pane divider strip Number:GT062 Length:4.0m Thickness:0.8mm Weight:0.082kg/m	Name:Window pane divider strip Number:GT044 Length:4.0m Thickness:0.8mm Weight:0.104kg/m
Name:Connecting strip Number:SG108 Length:6.0m Thickness:1.8mm Weight:3.57kg/m	Name: Rail side column profile cap Number:BF141 Length:5.2m Thickness:1.0mm Weight:0.292kg/m	Name:Double ceiling rails Number:SG145 Length:6.0m Thickness:1.6mm Weight:1.972kg/m	Name:Accessories of double rails Number:SG146 Length:6.0m Thickness:1.2mm Weight:0.899kg/m
Name:Accessories of double rails Number:SG147 Length:6.0m Thickness:2.2mm Weight:1.808kg/m	Name: Triple ceiling rails Number:SG148 Length:6.0m Thickness:2.0mm Weight:3.25kg/m	Name:Accessories of triple rails Number:SG149 Length:6.0m Thickness:1.4mm Weight:1.379kg/m	Name:Accessories of triple rails Number:SG150 Length:6.0m Thickness:2.5mm Weight:2.566kg/m

ELECTRIC TRACK MATCHING

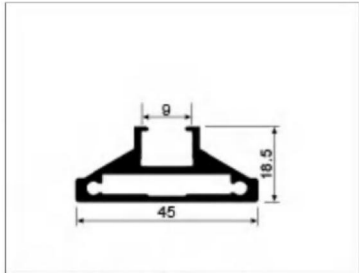




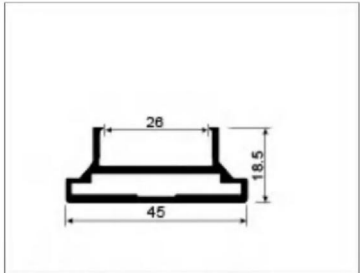
Name:Single glass door frame
Number:SK478H Length:6.2m
Thickness:2.0mm Weight:0.664kg/m



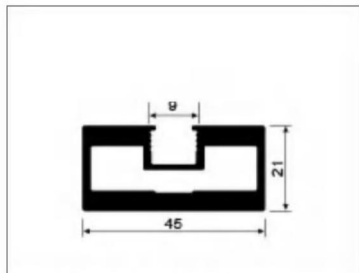
Name:Double glass door frame
Number:SK557 Length:6.2m
Thickness:2.0mm Weight:0.652kg/m



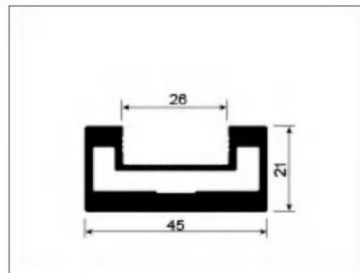
Name:Single glass door frame
Number:SK520 Length:6.2m
Thickness:2.0mm Weight:0.698kg/m



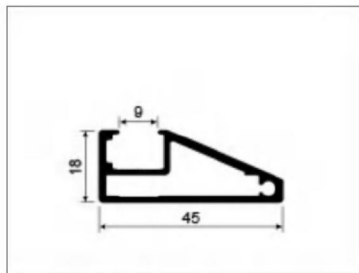
Name:Double glass door frame
Number:SK543H Length:6.2m
Thickness:2.0mm Weight:0.647kg/m



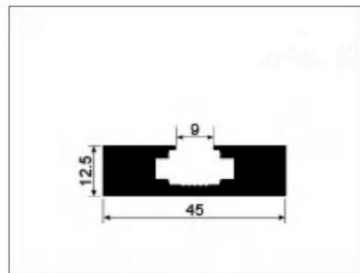
Name:Single glass door frame
Number:SK524 Length:4.8m
Thickness:5.0mm Weight:1.289kg/m



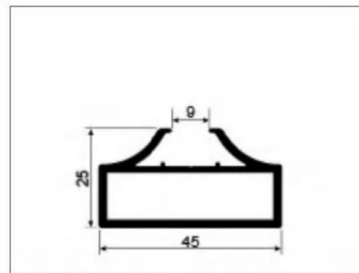
Name:Double glass door frame
Number:SK527 Length:4.8m
Thickness:5.0mm Weight:1.136kg/m



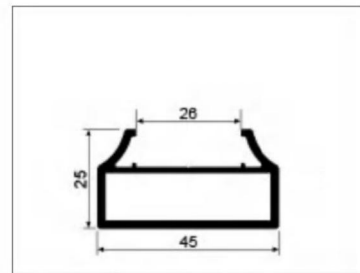
Name:Single glass door frame
Number:SK561 Length:6.2m
Thickness:2.0mm Weight:0.634kg/m



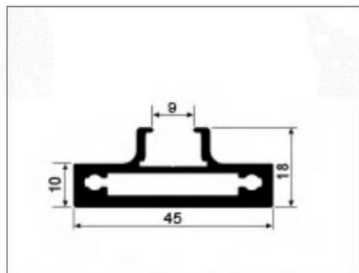
Name:Single glass door frame
Number:SK569 Length:4.8m
Thickness:solid Weight:1.155kg/m



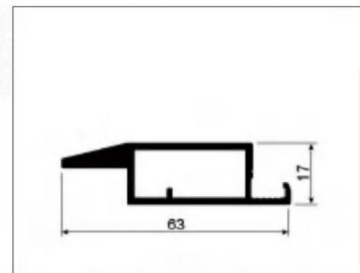
Name:Single glass door frame
Number:SK651 Length:6.2m
Thickness:2.0mm Weight:0.744kg/m



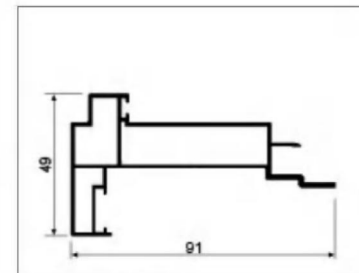
Name:Double glass door frame
Number:SK654 Length:6.2m
Thickness:2.0mm Weight:0.703kg/m



Name:Single glass door frame
Number:SK657 Length:6.2m
Thickness:2.7mm Weight:0.816kg/m

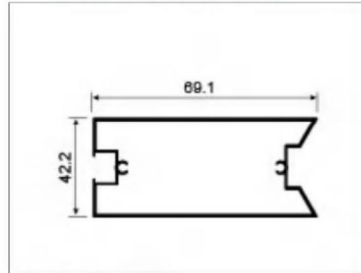


Name:Single glass door frame
Number:SK675 Length:4.8m
Thickness:2.0mm Weight:0.824kg/m

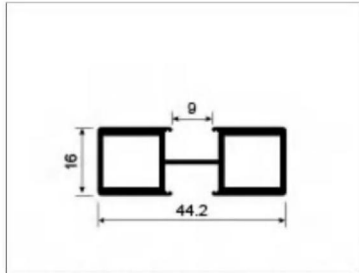


Name:Back trim
Number:D-A567 Length:6.4m
Thickness:1.2mm Weight:1.135kg/m

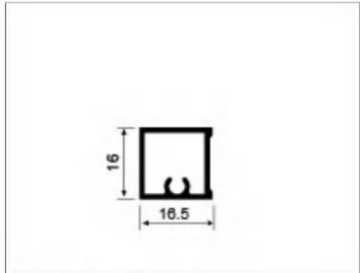
FRENCH VINTAGE DOORS



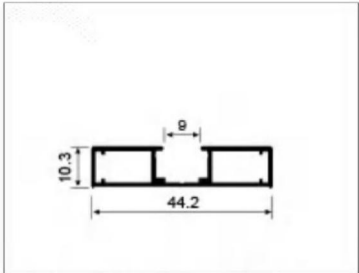
Name:Lock material
Number:ZHT128 Length:6.0m
Thickness:1.5mm Weight:1.260kg/m



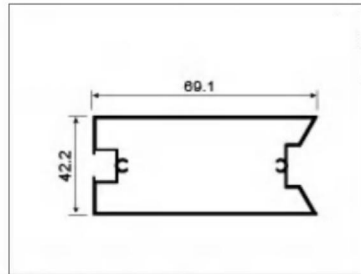
Name:Decorative strip (for aluminum)
Number:ZH190 Length:4.8m
Thickness:1.4mm Weight:0.577kg/m



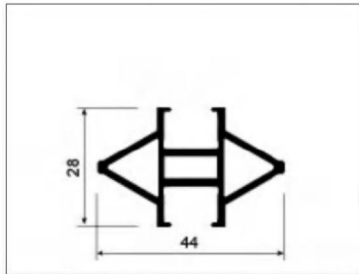
Name:Lock material
Number:GT059 Length:6.0m
Thickness:1.1mm Weight:0.21kg/m



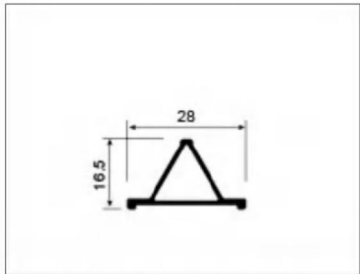
Name:Decorative strip (for glass)
Number:ZHT126H Length:6.0m
Thickness:1.0mm Weight:0.336kg/m



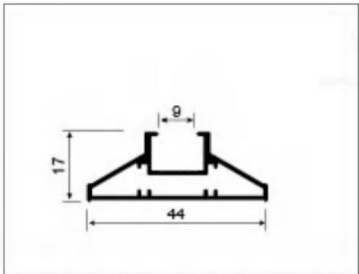
Name:Lock material
Number:ZHT128 Length:6.0m
Thickness:1.5mm Weight:1.260kg/m



Name:Decorative strip (for aluminum)
Number:ZH186 Length:6.0m
Thickness:2.0mm Weight:0.649kg/m

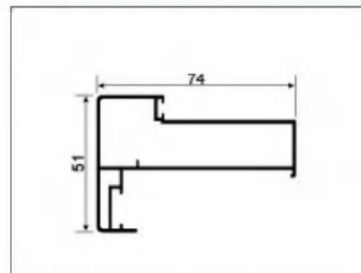


Name:Decorative strip (for glass)
Number:ZHT124 Length:6.0m
Thickness:1.0mm Weight:0.196kg/m

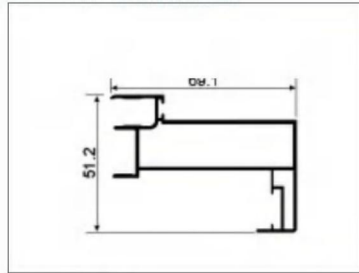


Name:Decorative strip (for glass)
Number:ZHT125 Length:6.0m
Thickness:1.0mm Weight:0.385kg/m

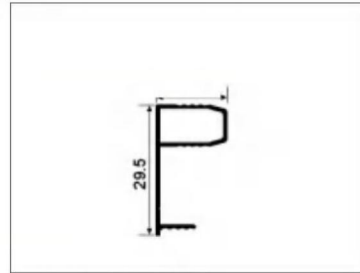
45 SERIES SWING DOOR GENERAL PROFILE DRAWING



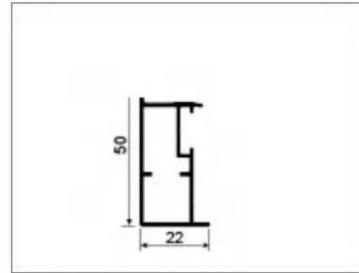
Name:Front trim
Number:D-A529 Length:6.4m
Thickness:1.2mm Weight:0.909kg/m



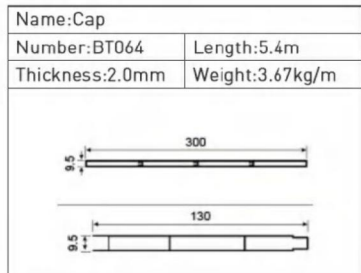
Name:Back trim
Number:D-A530 Length:6.4m
Thickness:1.2mm Weight:0.907kg/m



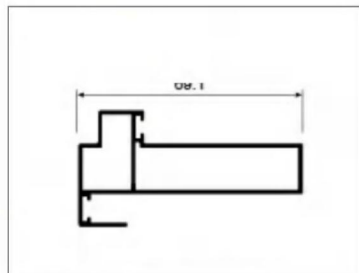
Name:Half trim F strip
Number:D-A523 Length:6.4m
Thickness:1.0mm Weight:0.181kg/m



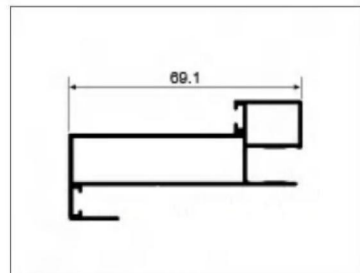
Name:Trim
Number:H682A Length:6.4m
Thickness:1.1mm Weight:0.5kg/m



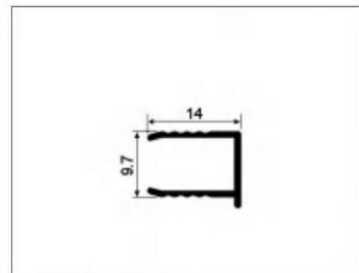
Name:Cap
Number:BT064 Length:5.4m
Thickness:2.0mm Weight:3.67kg/m



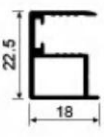
Name:Front trim
Number:D-A556H Length:6.4m
Thickness:1.2mm Weight:0.74kg/m



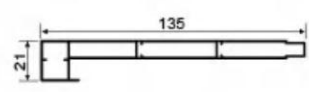
Name:Hinge door trim
Number:D-A555 Length:6.4m
Thickness:1.2mm Weight:0.809kg/m



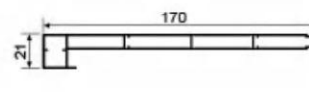
Name:Inner side trim
Number:D-A550 Length:6.4m
Thickness:1.0mm Weight:0.088kg/m



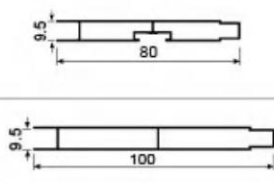
Name:Trim	
Number:D-A548H	Length:6.4m
Thickness:1.2mm	Weight:0.268kg/m



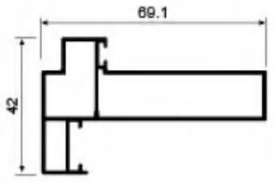
Name:Trim	
Number:BT054	Length:6.4m
Thickness:1.1mm	Weight:1.025kg/m



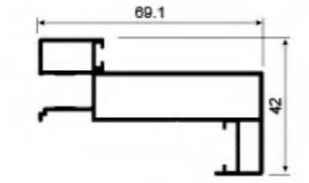
Name:Trim	
Number:BT055	Length:6.4m
Thickness:1.3mm	Weight:1.435kg/m



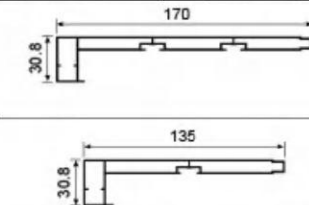
Name:Cap	
Number:BT061	Length:6.4m
Thickness:0.8mm	Weight:0.424kg/m



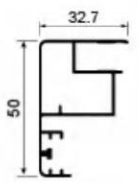
Name:Front trim	
Number:D-A565H	Length:6.4m
Thickness:1.2mm	Weight:0.834kg/m



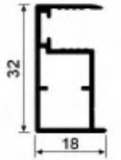
Name:Hinge door trim	
Number:D-A564	Length:6.4m
Thickness:1.2mm	Weight:0.875kg/m



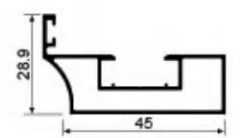
Name:Trim	
Number:BT056	Length:6.4m
Thickness:1.1mm	Weight:1.078kg/m



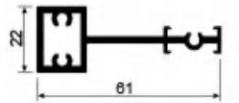
Name:Trim	
Number:D-A531A	Length:6.4m
Thickness:0.95mm	Weight:0.521kg/m



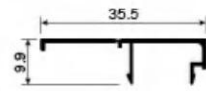
Name: Trim	
Number:BT058	Length:6.4m
Thickness:1.2mm	Weight:0.345kg/m



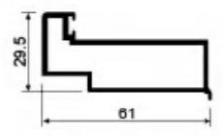
Name: Door frame collision cover	
Number:D-A532	Length:4.8m
Thickness:1.0mm	Weight:0.515kg/m



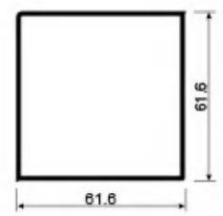
Name:Center column	
Number:D-A543	Length:4.8m
Thickness:2.2mm	Weight:0.823kg/m



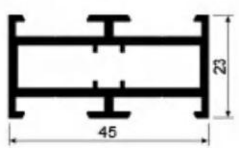
Name:Line of pressure	
Number:D-A544	Length:6.0m
Thickness:1.0mm	Weight:0.153kg/m




Name:Section column to hinge door column converter	
Number:D-A541	Length:6.4m
Thickness:2.0mm	Weight:0.883kg/m



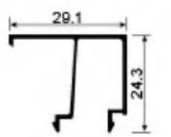
Name: 45 degrees converter	
Number:D-A545	Length:6.0m
Thickness:1.5mm	Weight:0.979kg/m



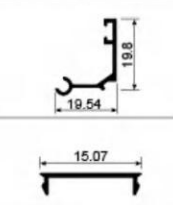
Name:Section column glass trapper	
Number:D-A524	Length:6.0m
Thickness:2.0mm	Weight:0.831kg/m



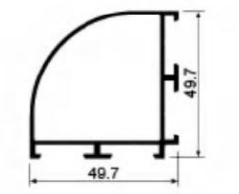
Name:Section column glass trapper	
Number:D-A524	Length:4.8m
Thickness:1.0mm	Weight:0.178kg/m



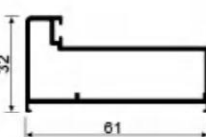
Name:Line of pressure	
Number:D-A526	Length:4.8m
Thickness:1.0mm	Weight:0.221kg/m



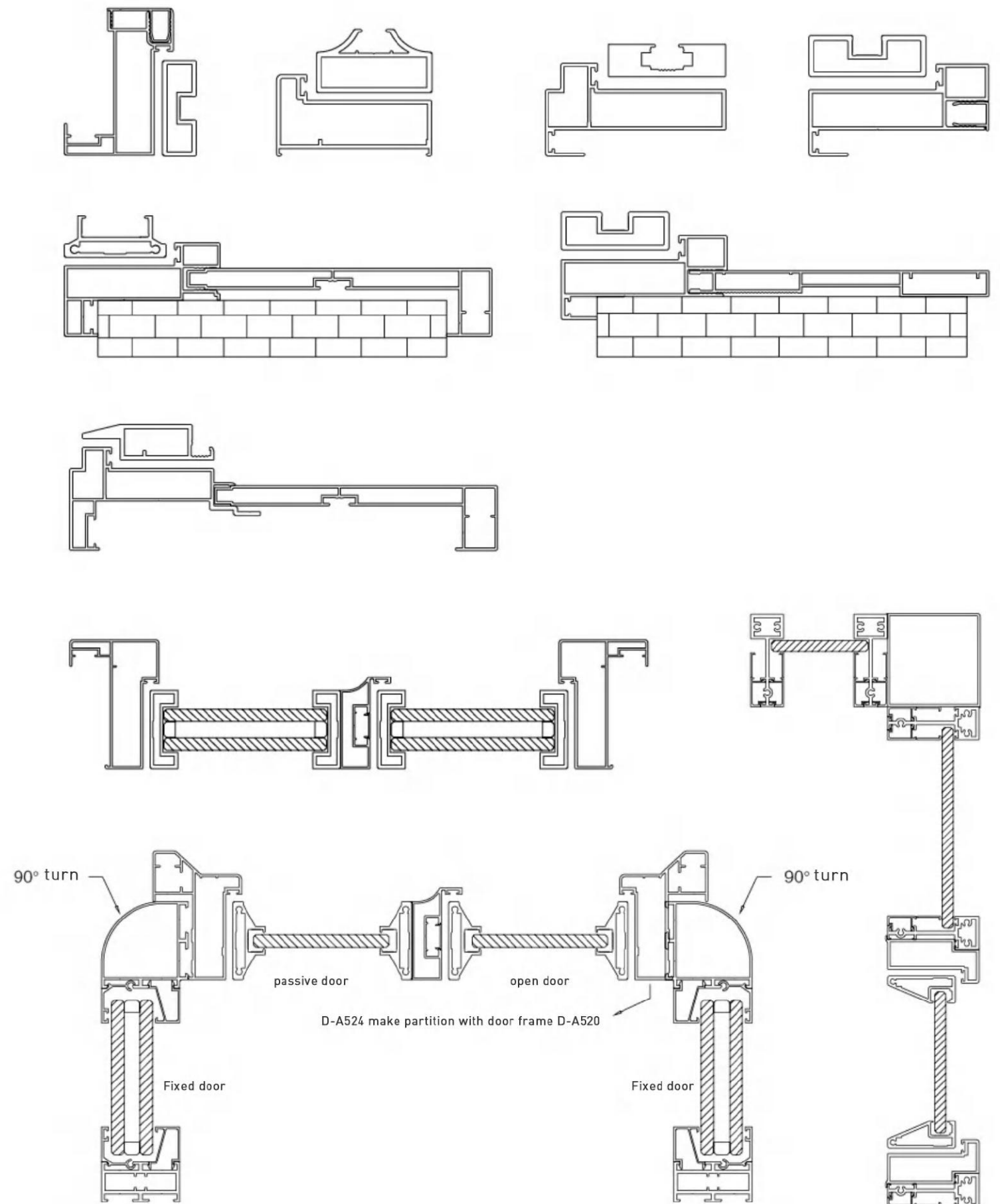
Name: European standard cover	
Number:GD-014	Length:6.0m
Thickness:0.8mm	Weight:0.042kg/m



Name: 45 degrees converter	
Number:D-A527	Length:6.0m
Thickness:1.2mm	Weight:0.745kg/m



Name:Fixed outer frame	
Number:D-A542	Length:6.4m
Thickness:1.5mm	Weight:0.757kg/m





35 SERIES A STYLE (ECONOMY STYLE)

Spot Color:
W-A-001,W-A-002,W-A-005,W-A-012
New popular colors: W-A-004
Cost of materials:
12 kilograms



35 SERIES C STYLE (1.2 SOLID SINGLE GLASS)

Spot Color:
W-A-001,W-A-002,W-A-005,W-A-009
New popular colors: W-A-004
Cost of materials:
17 kilograms

35 SERIES C STYLE (1.2 SOLID DOUBLE GLASS)

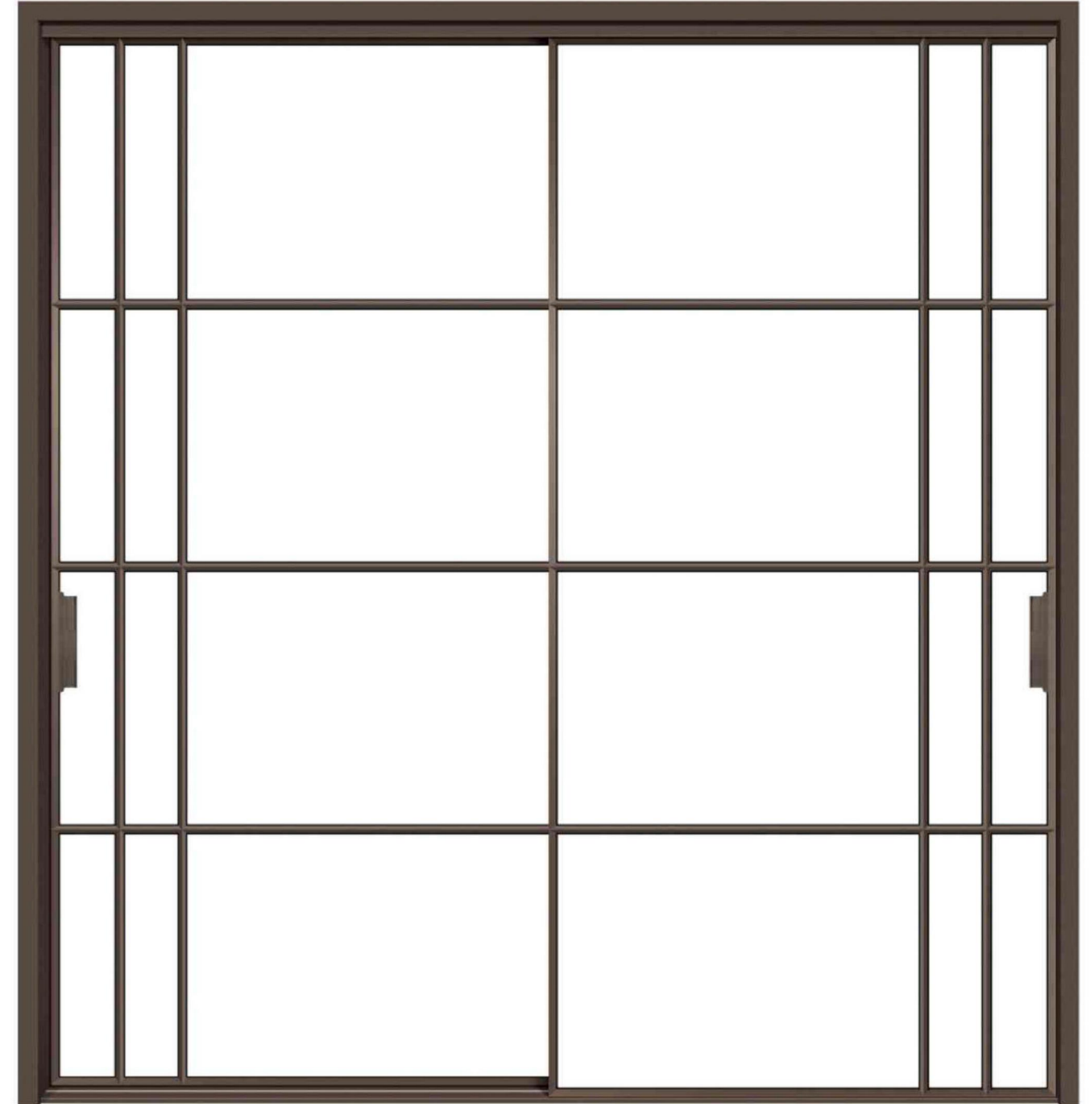
Spot Color:
W-A-001,W-A-002,W-A-005,W-A-009
New popular colors: W-A-004
Cost of materials:
13 kilograms



35SERIES B STYLE (BOLONI STYLE)

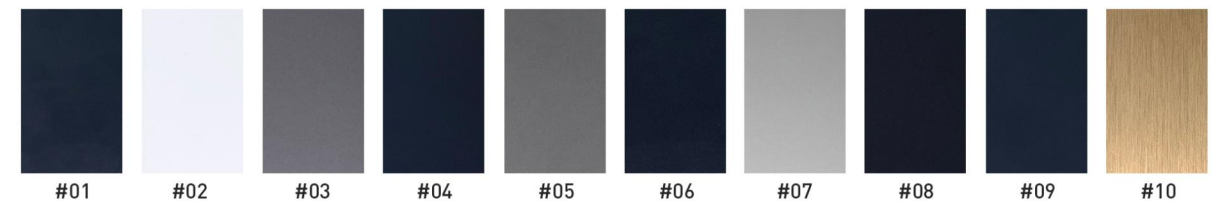


35SERIES D STYLE (UNIVERSAL STYLE)



COLOR:W-A-012 (B STYLE)

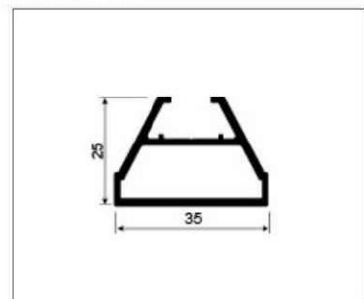
35 SERIES SPOT COLOR:



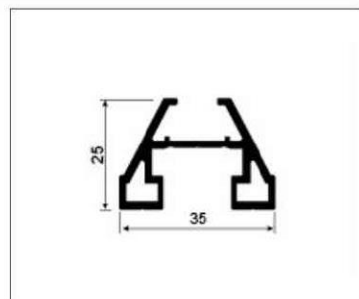


35 SERIES STYLE E SEAMLESS

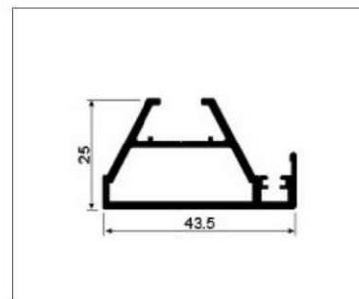
Spot Color:
W-A-001,W-A-004,W-A-005,W-A-009
Cost of materials:
14 kilograms



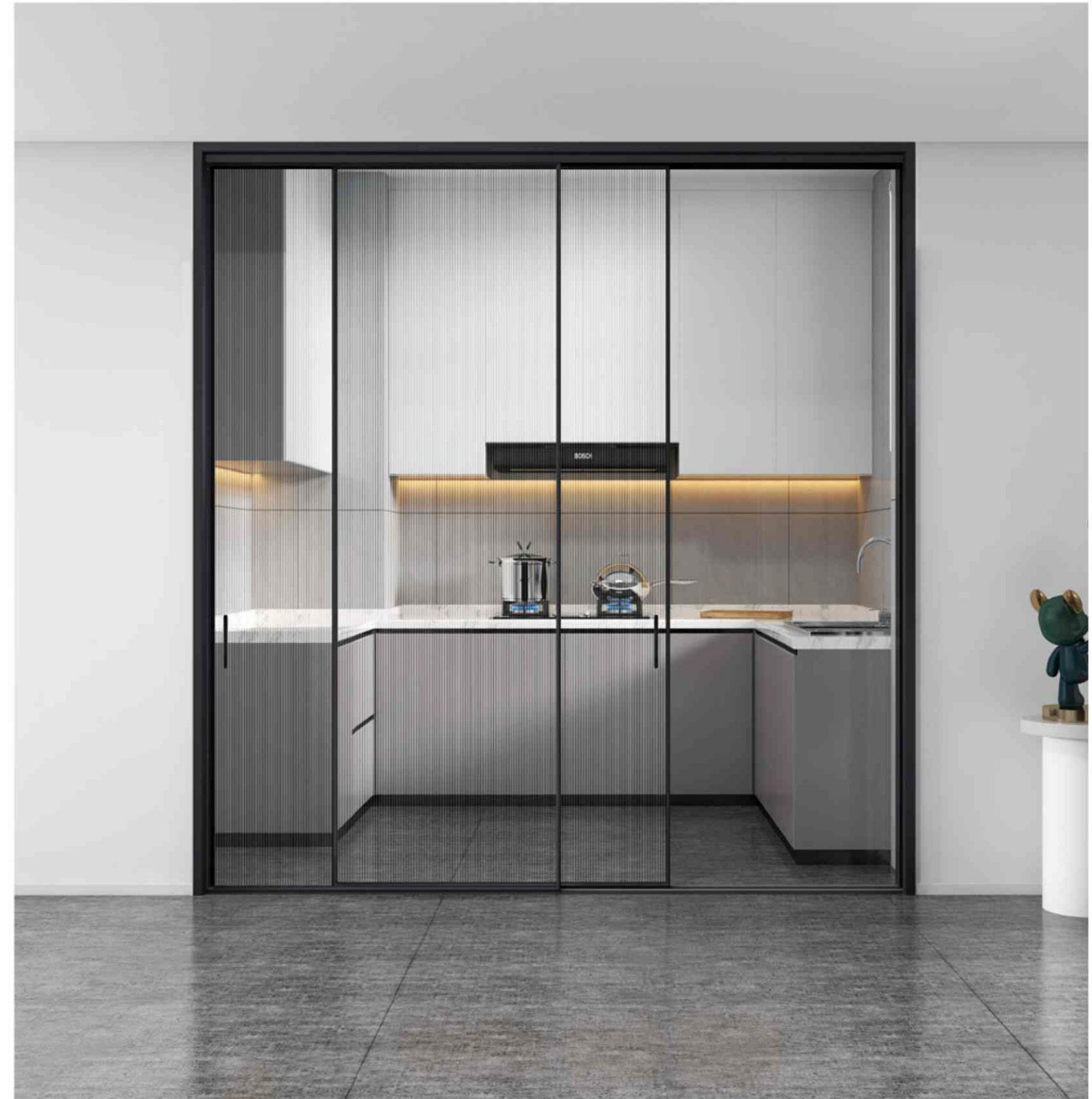
Name: Single glass door frame	
Number:SK663	Length:4.8m
Thickness:1.8mm	Weight:0.549kg/m



Name: Single glass door upper & lower brackets	
Number:SK665	Length:6.0m
Thickness:1.8mm	Weight:0.596kg/m



Name:Single glass door frame (with hook)	
Number:SK664	Length:4.8m
Thickness:1.8mm	Weight:0.672kg/m



COLOR: W-A-005 (E STYLE SEAMLESS)

A STYLE 35 SERIES

Name:Single glass door frame Number:SK549 Length:4.8m Thickness:2.0mm Weight:0.461kg/m	Name:Single glass door upper & lower brackets Number:SK550 Length:6.0m Thickness:1.5mm Weight:0.536kg/m	Name:Single glass door frame (with hook) Number:SK551 Length:4.8m Thickness:2.0mm Weight:0.534kg/m	Decorative strip (for aluminum) Number:ZH188 Length:4.8m Thickness:1.5mm Weight:0.296kg/m

Name:Double glass door frame Number:SK552 Length:4.8m Thickness:2.0mm Weight:0.449kg/m	Name:Double glass upper & lower brackets Number:SK553 Length:6.0m Thickness:1.5mm Weight:0.568kg/m	Name:Double glass door frame (with hook) Number:SK554 Length:4.8m Thickness:2.0mm Weight:0.507kg/m

B STYLE 35 SERIES

Name:Single glass door frame (with hook) Number:SK575 Length:4.8m Thickness:2.0mm Weight:0.599kg/m	Name:Single glass door frame (with hook) Number:SK574 Length:4.8m Thickness:2.0mm Weight:0.599kg/m	Name:Single glass door upper & lower brackets Number:SK576 Length:6.0m Thickness:2.0mm Weight:0.683kg/m	Decorative strip (for aluminum) Number:ZH189 Length:6.0m Thickness:2.0mm Weight:0.63kg/m

C STYLE 35 SERIES

Name:Single glass door frame Number:SK565 Length:4.8m Thickness:solid Weight:0.775kg/m	Name:Single glass door frame (with hook) Number:SK566 Length:4.8m Thickness:solid Weight:0.811kg/m	Name:Single glass door upper Number:SK568 Length:6.0m Thickness:2.0mm Weight:0.749kg/m	Name:Single glass door lower brackets Number:SK567 Length:6.0m Thickness:2.0mm Weight:0.955kg/m
Name:Double glass door frame Number:SK585 Length:4.8m Thickness:3.0mm Weight:0.455kg/m	Name:Double glass door frame (with hook) Number:SK586 Length:4.8m Thickness:3.0mm Weight:0.491kg/m	Name:Double glass door upper Number:SK588 Length:6.0m Thickness:2.0mm Weight:0.644kg/m	Name:Double glass door lower brackets Number:SK587 Length:6.0m Thickness:2.0mm Weight:0.84kg/m

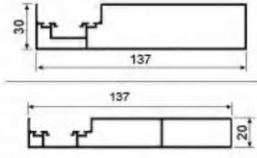
D STYLE 35*65 SWING & SLIDING PROFILE COMBINATION

Name:Glass door frame Number:SK555 Length:6.3m Thickness:1.3mm Weight:0.864kg/m	Name:Glass door frame Number:D-A534 Length:6.3m Thickness:1.3mm Weight:0.813kg/m	Name:Glass door frame (with hook) Number:GQ117 Length:4.8m Thickness:0.8mm Weight:0.225kg/m	Name:Glass door frame (with hook) Number:GQ118 Length:4.8m Thickness:0.8mm Weight:0.158kg/m

C STYLE 35 SERIES GENERAL PROFILE OF OUTER FRAME

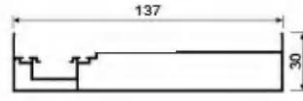
Name:Single ceiling rails Number:SG124 Length:6.0m Thickness:1.0mm Weight:0.628kg/m	Name:Ceiling rails Number:SG123 Length:6.0m Thickness:1.0mm Weight:1.088kg/m	Name:Triple ceiling rails Number:SG120A Length:6.0m Thickness:1.3mm Weight:1.93kg/m	Name:Fourfold ceiling rails Number:SG140 Length:6.0m Thickness:1.5mm Weight:2.695kg/m
Name:Triple ceiling rails Number:SG164 Length:6.0m Thickness:1.3mm Weight:1.789kg/m	Name:Connecting strip Number:SG165 Length:6.0m Thickness:1.3mm Weight:1.168kg/m	Name:Single hanging rail Number:SG132 Length:6.0m Thickness:2.3mm Weight:0.986kg/m	Name:Double hanging rail Number:SG130 Length:6.0m Thickness:2.3mm Weight:0.738kg/m
Name:Triple hanging rail Number:SG131 Length:6.0m Thickness:2.3mm Weight:2.72kg/m	Name:Fourfold hanging rail Number:SG141 Length:6.0m Thickness:2.3mm Weight:3.619kg/m	Name:Single hanging rail Number:SG117 Length:6.0m Thickness:2.3mm Weight:0.986kg/m	Name:Double hanging rail Number:SG116 Length:6.0m Thickness:2.3mm Weight:1.841kg/m
Name:Triple hanging rail Number:SG137 Length:6.0m Thickness:2.5mm Weight:2.973kg/m	Name:Rail cap Number:SG154A Length:6.0m Thickness:1.0mm Weight:0.216kg/m	Name:Single rail side column profile Number:BF132 Length:4.8m Thickness:1.0mm Weight:0.385kg/m	Name:Rail side column profile Number:BF119 Length:4.8m Thickness:1.0mm Weight:0.738kg/m
Name:Rail cap Number:SG137A Length:6.0m Thickness:1.0mm Weight:0.236kg/m	Name:Single rail side column profile Number:BF120 Length:4.8m Thickness:1.0mm Weight:0.472kg/m	Name:Rail side column profile Number:BF130 Length:4.8m Thickness:1.0mm Weight:0.64kg/m	Name:Rail side column profile Number:BF130 Length:4.8m Thickness:1.0mm Weight:0.64kg/m

Name:Triple rail side column profile
Number:BF118 Length:4.8m
Thickness:1.2mm Weight:1.25kg/m



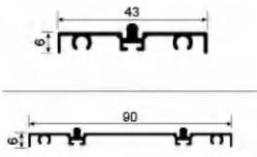
Name:Triple rail side column profile
Number:BF131 Length:6.3m
Thickness:1.2mm Weight:1.139kg/m

Name:Triple rail side column profile
Number:BF126 Length:5.2m
Thickness:1.3mm Weight:1.22kg/m

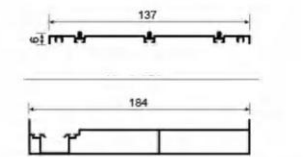


Name:Triple rail side column profile
Number:BF126 Length:5.2m
Thickness:1.3mm Weight:1.22kg/m

Name:Single bottom rail
Number:XG133 Length:6.0m
Thickness:1.0mm Weight:0.261kg/m



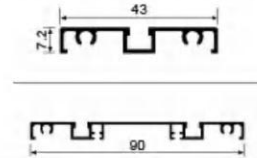
Name:Single hanging rail
Number:XG135 Length:6.0m
Thickness:1.3mm Weight:0.772kg/m



Name:Bottom rail
Number:XG134 Length:6.0m
Thickness:1.1mm Weight:0.483kg/m

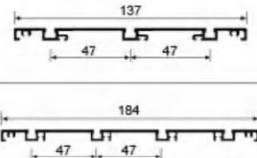
Name:Fourfold rail side column profile
Number:BF125 Length:5.2m
Thickness:1.4mm Weight:1.813kg/m

Name:Single bottom rail
Number:XG118 Length:6.0m
Thickness:1.0mm Weight:0.251kg/m



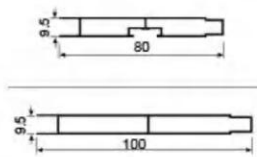
Name:Bottom rail
Number:XG094A Length:6.0m
Thickness:1.0mm Weight:0.503kg/m

Name:Bottom rail
Number:XG099A Length:6.0m
Thickness:1.3mm Weight:0.832kg/m



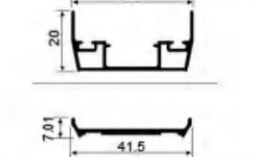
Name:Fourfold bottom rail
Number:XG122 Length:6.0m
Thickness:1.3mm Weight:1.184kg/m

Name:Cap
Number:BT061 Length:6.4m
Thickness:0.8mm Weight:0.424kg/m



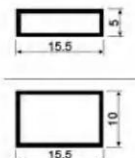
Name:Cap
Number:D-A470 Length:4.8m
Thickness:0.8mm Weight:0.488kg/m

Name:Door frame collision cover
Number:SK537 Length:4.8m
Thickness:1.0mm Weight:0.397kg/m

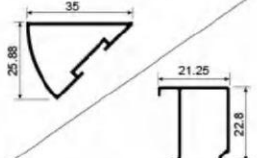


Name:Door frame collision cover
Number:SK578 Length:4.8m
Thickness:2.0mm Weight:0.219kg/m

Name:Window pane divider strip
Number:BT062 Length:4.0m
Thickness:0.8mm Weight:0.082kg/m



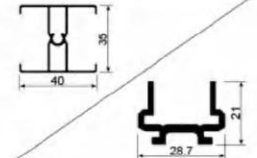
Name:45 degrees converter
Number:SK556 Length:4.8m
Thickness:1.0mm Weight:0.283kg/m



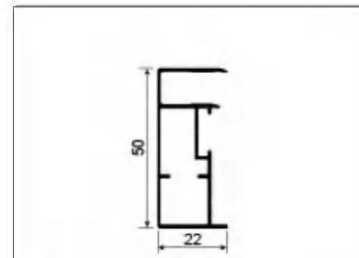
Name:Window pane divider strip
Number:GT044 Length:4.0m
Thickness:0.8mm Weight:0.104kg/m

Name:Line of pressure
Number:FG023B Length:6.0m
Thickness:0.8mm Weight:0.149kg/m

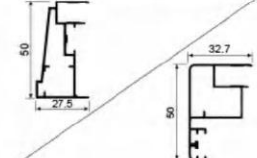
Name:Decorative strip (for aluminum)
Number:ZH180 Length:6.0m
Thickness:1.0mm Weight:0.458kg/m



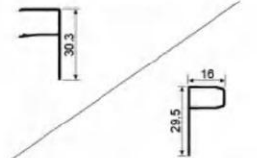
Name:Accessories of ceiling rails
Number:DL-01 Length:6.0m
Thickness:2.0mm Weight:0.444kg/m



Name:Trim
Number:BT049 Length:6.4m
Thickness:1.1mm Weight:0.52kg/m

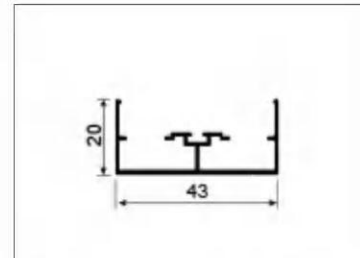


Name:Trim F strip
Number:BF020B Length:4.8m
Thickness:1.0mm Weight:0.166kg/m



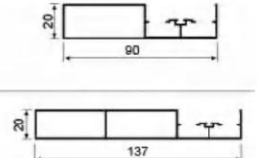
Name:Trim
Number:D-A531A Length:6.4m
Thickness:0.95mm Weight:0.521kg/m

Name:Half trim F strip
Number:BF020C Length:4.8m
Thickness:1.0mm Weight:0.163kg/m



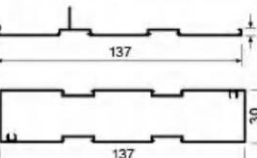
Name:Single rail side column profile
Number:X909 Length:4.8m
Thickness:1.0mm Weight:0.345kg/m

Name:Rail side column profile
Number:X816 Length:4.8m
Thickness:1.0mm Weight:0.623kg/m

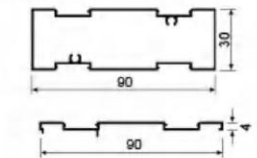


Name:Triple rail side column profile
Number:X817 Length:5.2m
Thickness:1.2mm Weight:1.072kg/m

Name:Triple Cap
Number:GB043 Length:6.0m
Thickness:1.3mm Weight:0.611kg/m



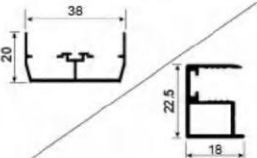
Name:Double rail Center column
Number:FG025 Length:6.0m
Thickness:1.0mm Weight:0.77kg/m



Name:Triple rail Center column
Number:FG028 Length:6.0m
Thickness:1.3mm Weight:1.0472kg/m

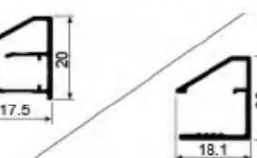
Name:Cap
Number:GB035 Length:6.0m
Thickness:1.0mm Weight:0.318kg/m

Name:Door frame collision cover
Number:DK670 Length:4.8m
Thickness:1.0mm Weight:0.397kg/m

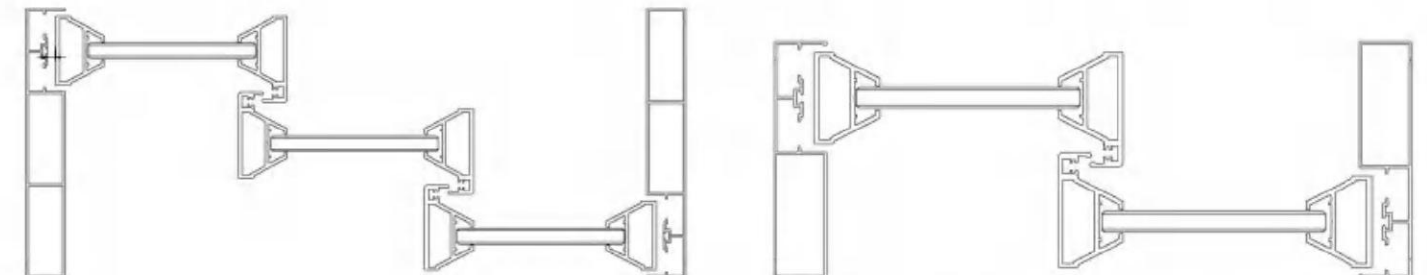
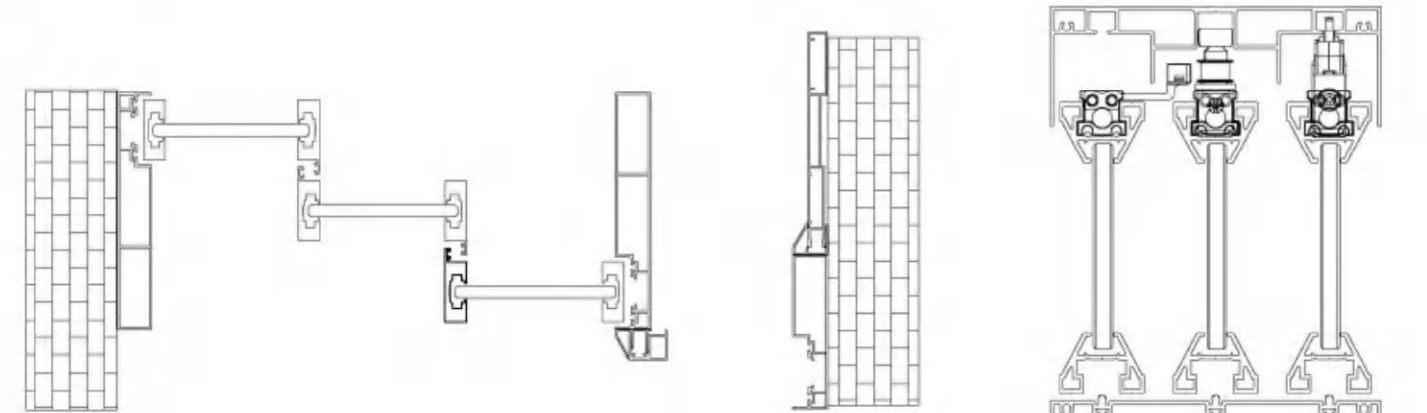
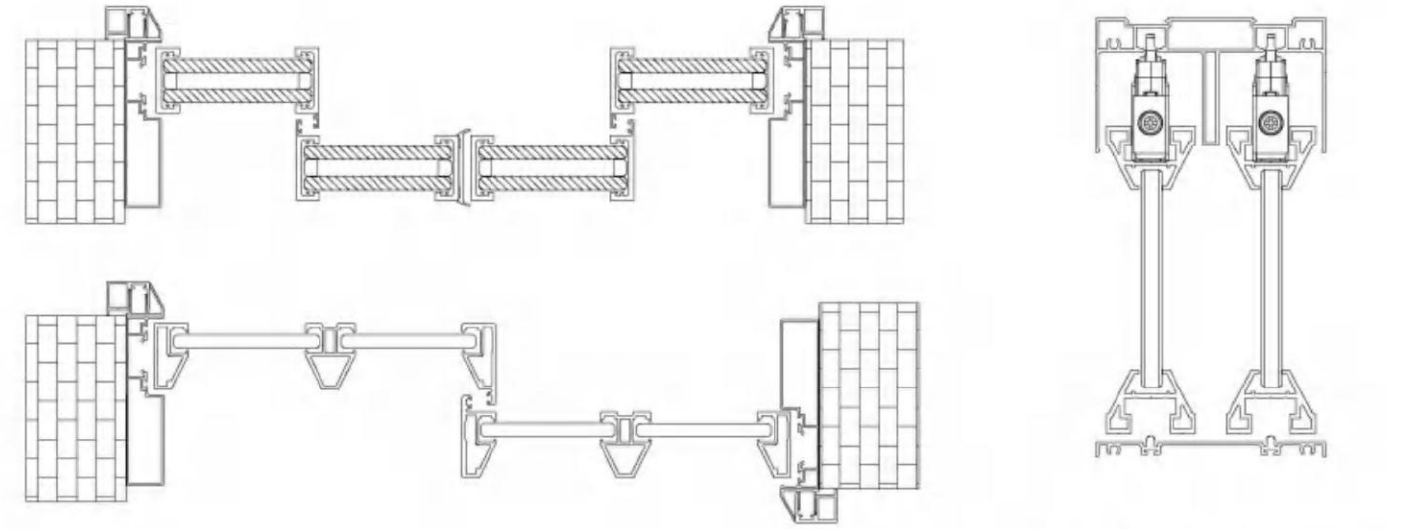
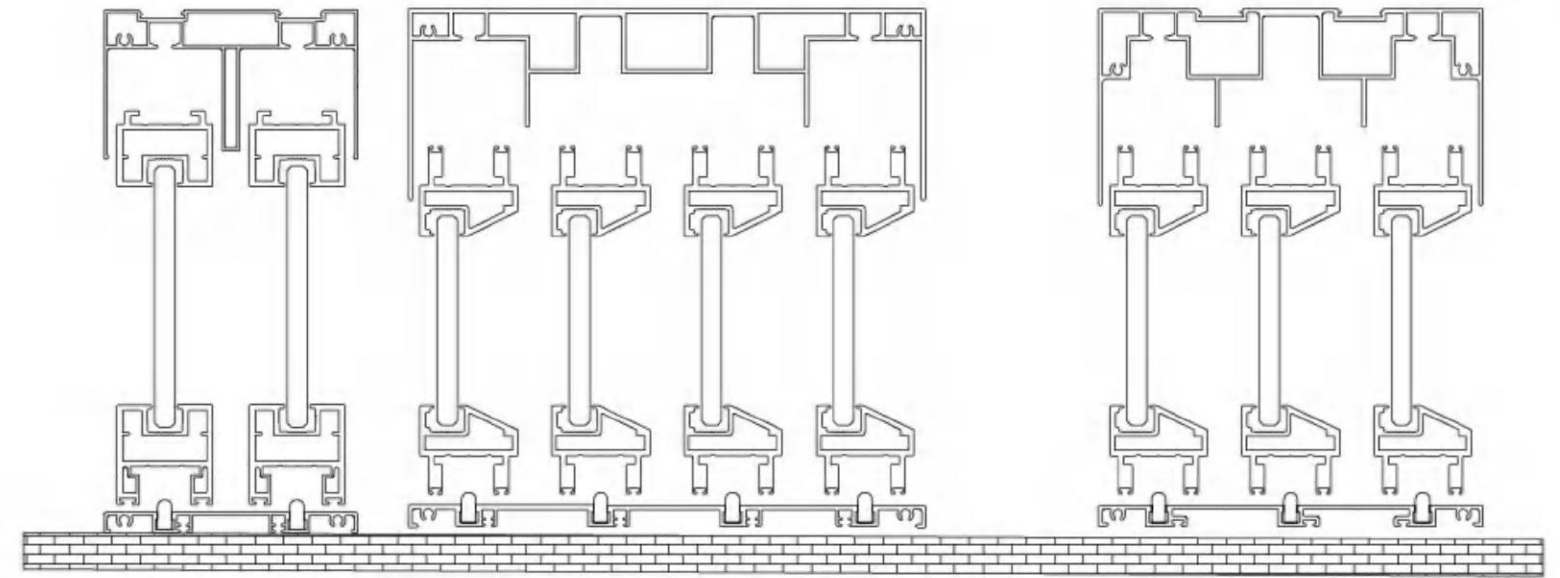


Name:Trim
Number:D-A548H Length:6.4m
Thickness:1.2mm Weight:0.268kg/m

Name:Trim F strip
Number:BT052 Length:4.8m
Thickness:1.0mm Weight:0.164kg/m

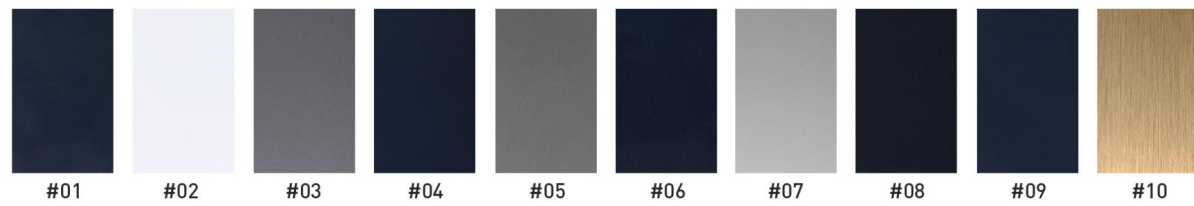


Name:Trim F strip
Number:BT053 Length:4.8m
Thickness:1.0mm Weight:0.288kg/m

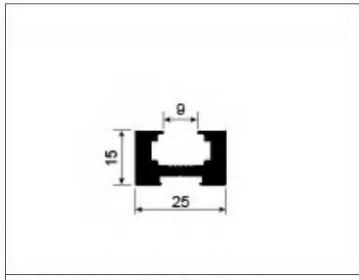




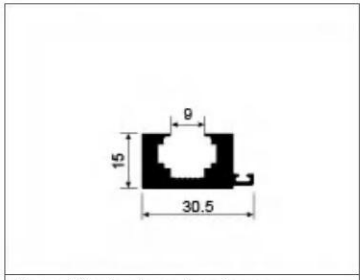
25 SERIES SPOT COLOR :



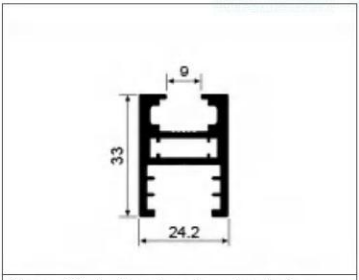
COLOR:W-A-005



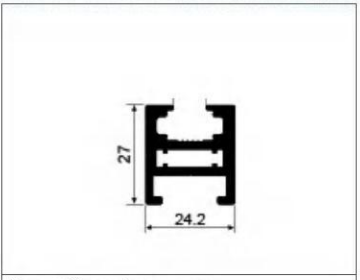
Name:Single glass door frame
Number:SK579H Length:4.8m
Thickness:solid Weight:0.576kg/m



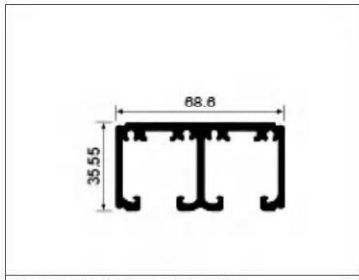
Name:Single glass door frame
Number:SK580 Length:4.8m
Thickness:solid Weight:0.621kg/m



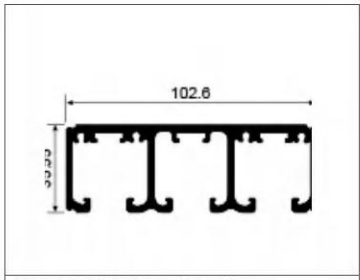
Name:Single glass door lower brackets
Number:SK581A Length:6.0m
Thickness:2.1mm Weight:0.821kg/m



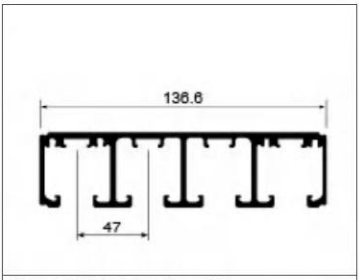
Name:Glass door upper
Number:SK582 Length:6.0m
Thickness:2.1mm Weight:0.782kg/m



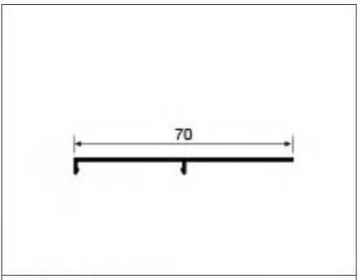
Name:Single hanging rail
Number:SG134 Length:6.0m
Thickness:2.0mm Weight:1.677kg/m



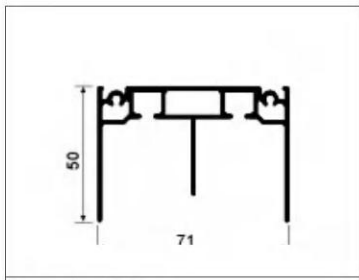
Name:Double hanging rails
Number:SG135 Length:6.0m
Thickness:3.0mm Weight:2.352kg/m



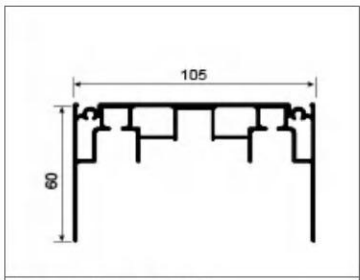
Name:Triple hanging rails
Number:SG138 Length:4.8m
Thickness:2.2mm Weight:3.026kg/m



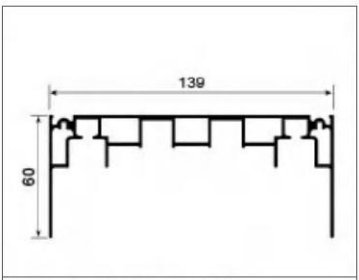
Name:Rail cap
Number:SG116A Length:6.0m
Thickness:1.0mm Weight:0.209kg/m



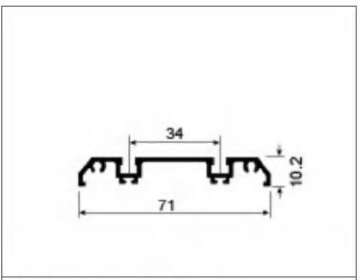
Name:Ceiling rails
Number:SG133 Length:6.0m
Thickness:1.1mm Weight:1.108kg/m



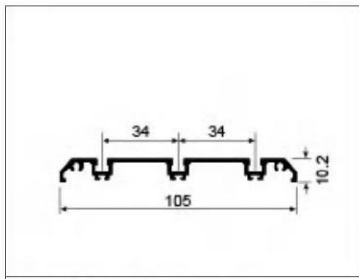
Name:Triple ceiling rails
Number:SG136 Length:6.0m
Thickness:1.3mm Weight:1.682kg/m



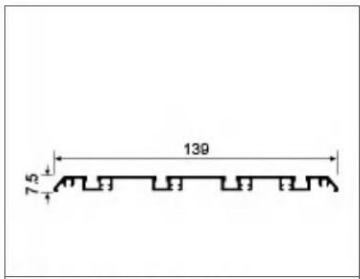
Name:Fourfold ceiling rails
Number:SG139 Length:6.0m
Thickness:1.4mm Weight:2.085kg/m



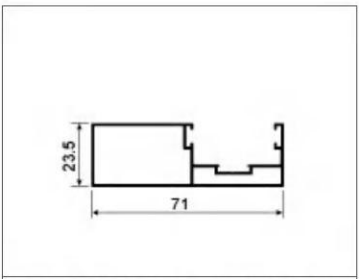
Name:Double bottom rail
Number:XG119 Length:6.0m
Thickness:1.1mm Weight:0.449kg/m



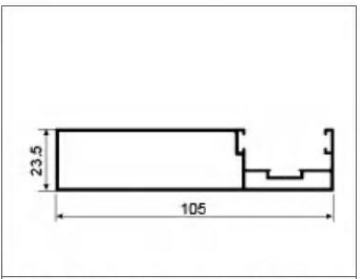
Name:Triple bottom rail
Number:XG120 Length:6.0m
Thickness:1.0mm Weight:0.622kg/m



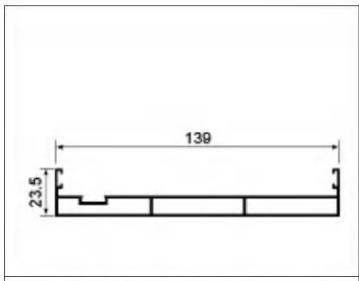
Name:Fourfold bottom rail
Number:XG121 Length:6.0m
Thickness:1.3mm Weight:0.839kg/m



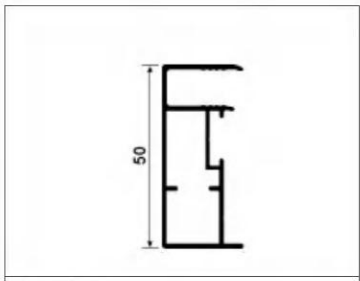
Name:Double rail side column profile
Number:BF121H Length:4.8m
Thickness:1.0mm Weight:0.616kg/m



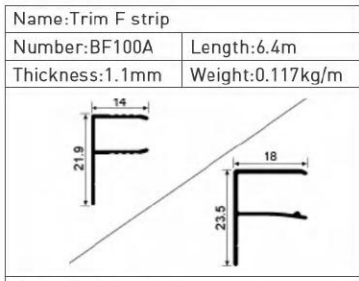
Name:Triple rail side column profile
Number:BF122H Length:5.2m
Thickness:1.2mm Weight:0.932kg/m



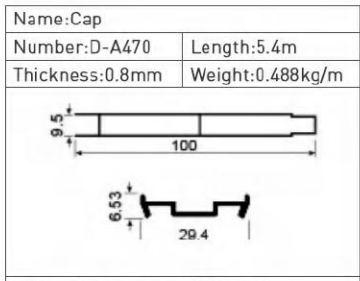
Name:Fourfold rail side column profile
Number:BF124H Length:5.2m
Thickness:1.3mm Weight:1.245kg/m



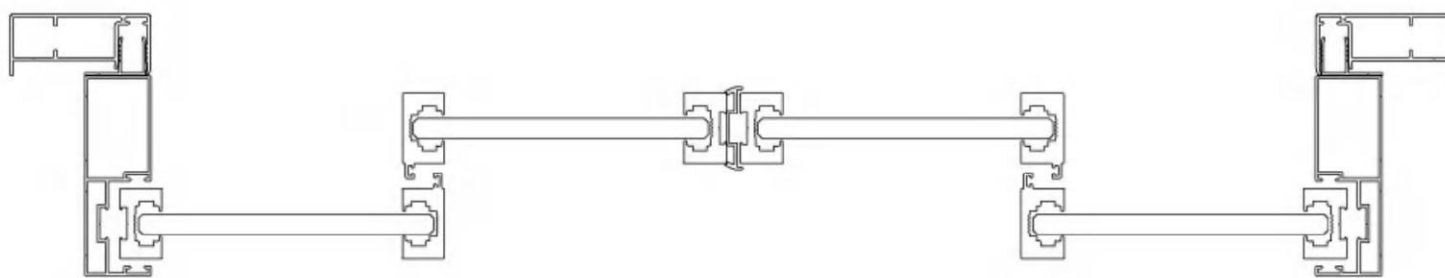
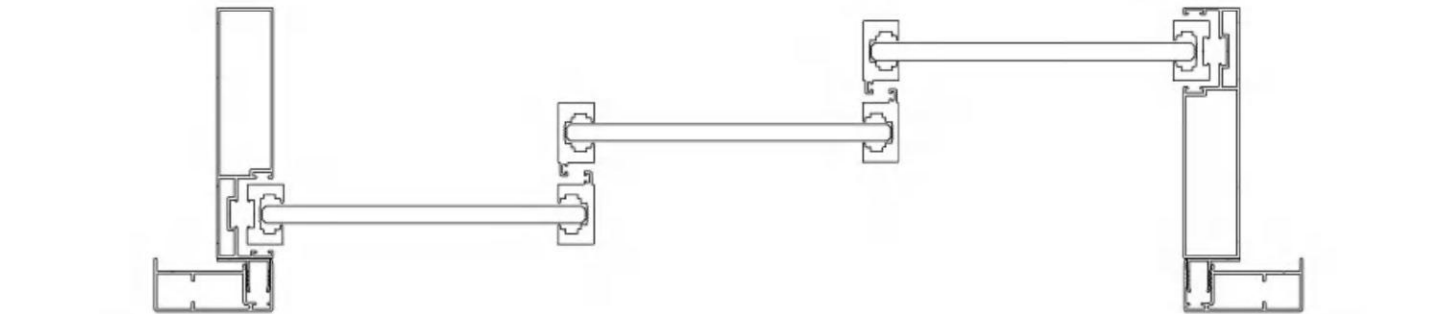
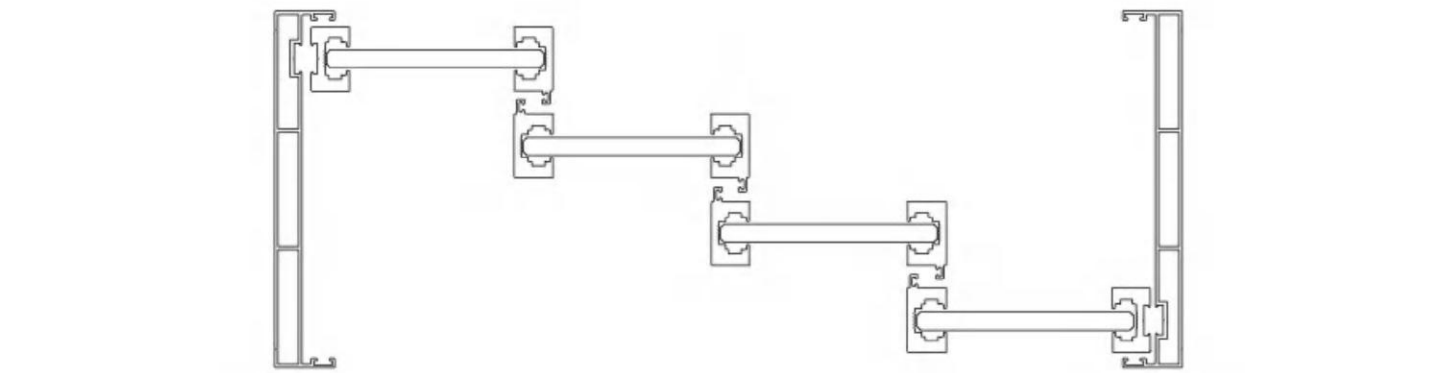
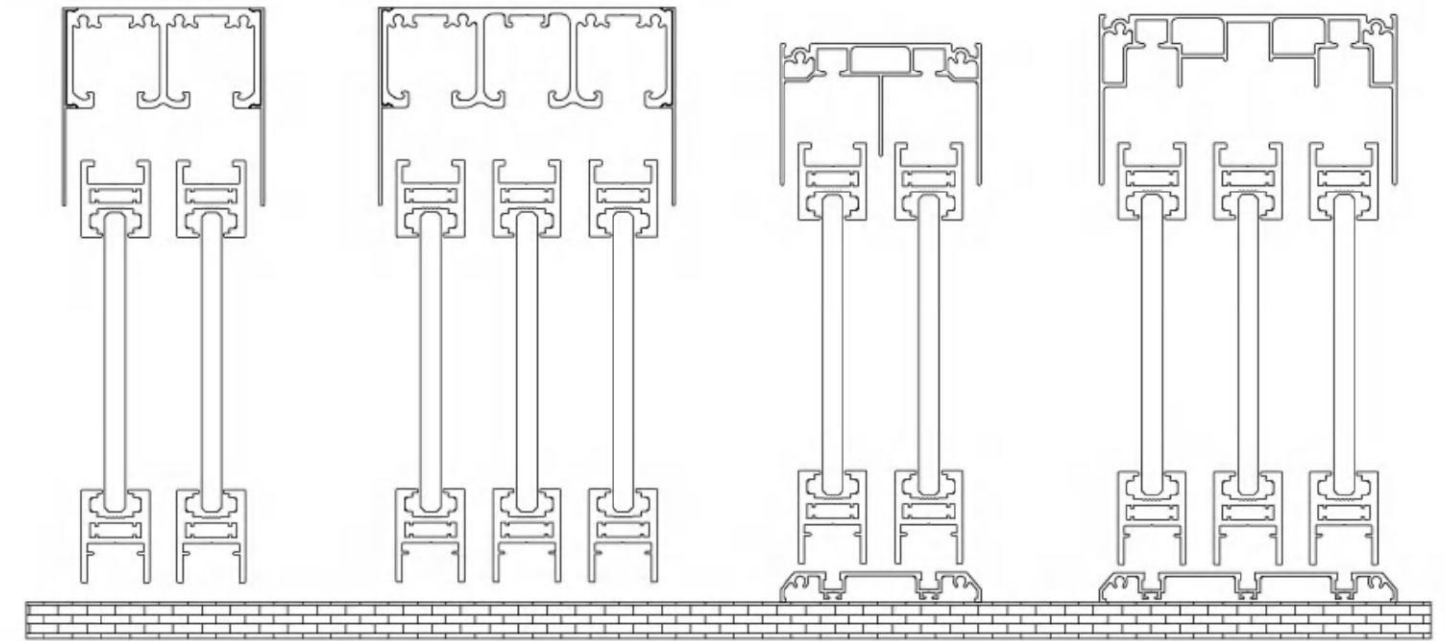
Name:Trim
Number:H682A Length:6.4m
Thickness:1.1mm Weight:0.5kg/m



Name:Trim F strip
Number:BF100B Length:4.8m
Thickness:1.0mm Weight:0.148kg/m

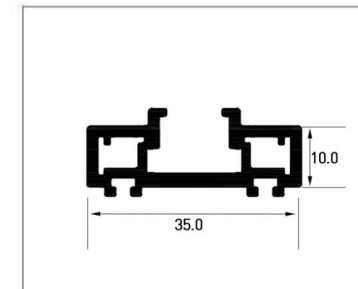
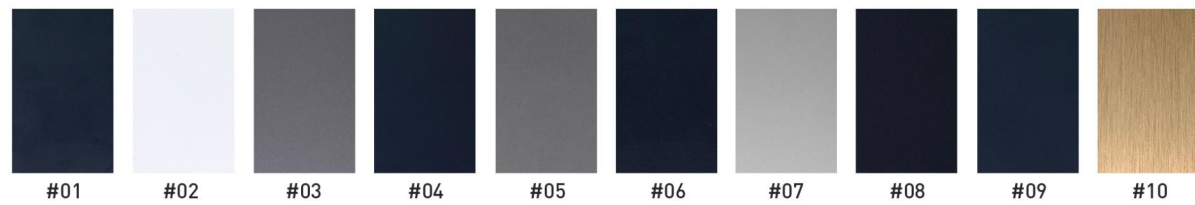


Name:Door frame collision cover
Number:SK583 Length:6.0m
Thickness:1.0mm Weight:0.134kg/m

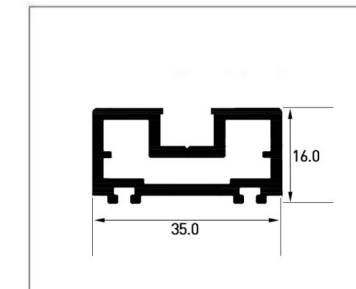




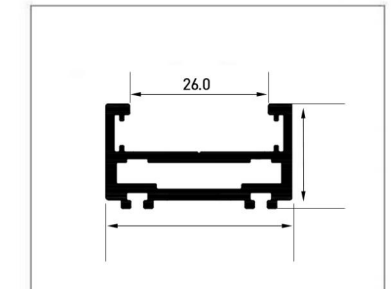
35 FOLDING DOOR SERIES SPOT COLOR:



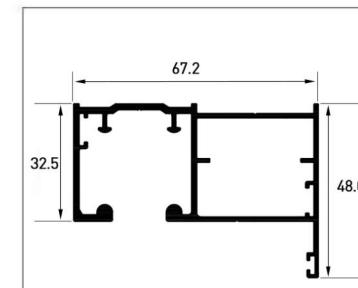
Name: Rail side column profile
 Number: ZD3510 Length: 6.3m
 Thickness: 2.0mm Weight: 0.52kg/m



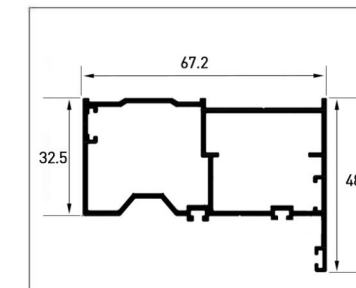
Name: Rail side column profile
 Number: ZD3516 Length: 6.3m
 Thickness: 2.0mm Weight: 0.64kg/m



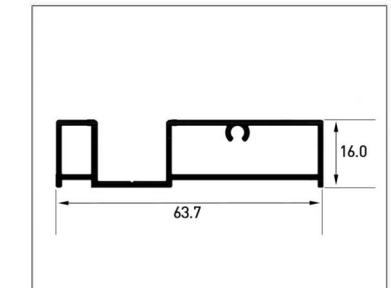
Name: Rail side column profile
 Number: ZD3518 Length: 6.3m
 Thickness: 2.0mm Weight: 0.59kg/m



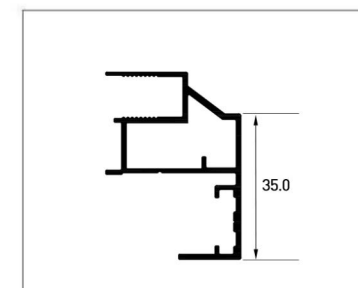
Name: Ceiling
 Number: ZD3501 Length: 6.0m
 Thickness: 2.0mm Weight: 1.1kg/m



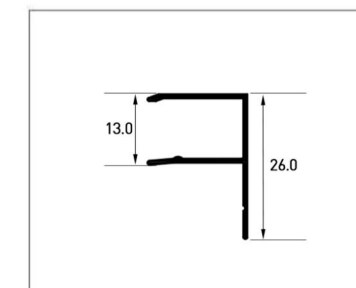
Name: Rail side column profile
 Number: ZD3503 Length: 5.2m
 Thickness: 1.4mm Weight: 1.0kg/m



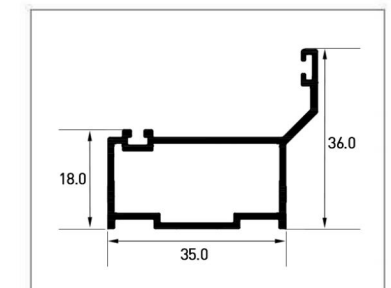
Name: Bottom rail
 Number: ZD3502 Length: 6.0m
 Thickness: 1.2mm Weight: 0.58kg/m



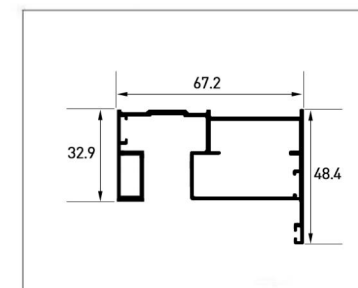
Name: Trim
 Number: XP-005 Length: 5.2m
 Thickness: 1.4mm Weight: 0.55kg/m



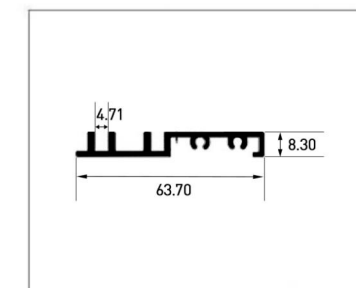
Name: Trim F strip
 Number: HL6918B Length: 6.0m
 Thickness: 1.2mm Weight: 0.125kg/m



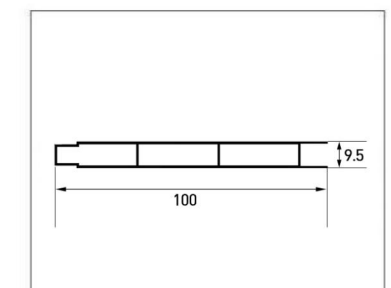
Name: Door frame collision cover
 Number: ZD3509 Length: 4.8m
 Thickness: 1.4mm Weight: 0.46kg/m



Name: Upper rails
 Number: ZD-3501T Length: 5.2m
 Thickness: 1.45mm Weight: 1.07kg/m



Name: Bottom rails
 Number: ZD-3502T Length: 5.2m
 Thickness: 1.6mm Weight: 0.56kg/m



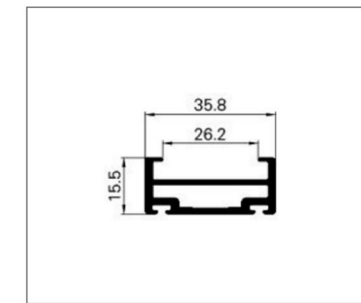
Name: cap
 Number: HLKB100 Length: 6.0m
 Thickness: 0.8mm Weight: 0.46kg/m



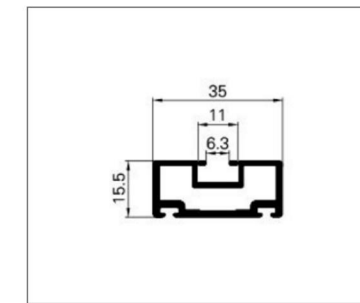
35 ANT-PINCH FOLDING DOOR SERIES SPOT COLOR:



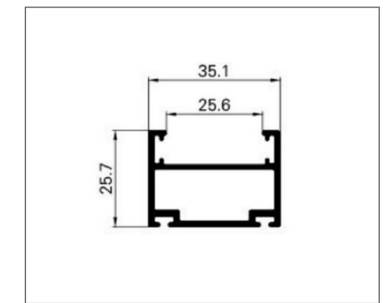
black gold 01 white 02 grey 03



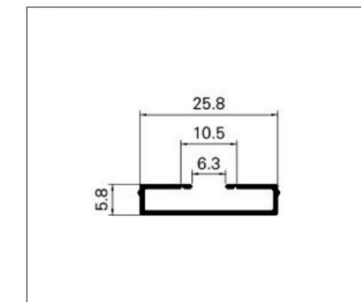
Name: Door frame
Number: JY-24B Length: 6.3m
Thickness: 2.0mm Weight: 0.504kg/m



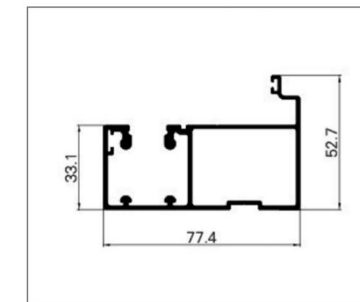
Name: Single glass door frame
Number: JY-24C Length: 6.3m
Thickness: 2.0mm Weight: 0.517kg/m



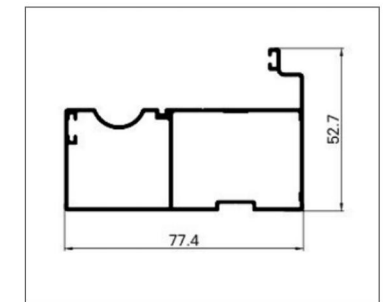
Name: Door frame
Number: JY-21 Length: 6.3m
Thickness: 1.55mm Weight: 0.541kg/m



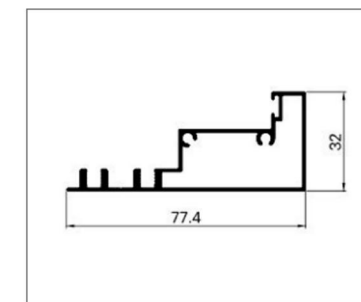
Name: Single Glass Conversion Strip
Number: JY-25A Length: 6.3m
Thickness: 0.8mm Weight: 0.117kg/m



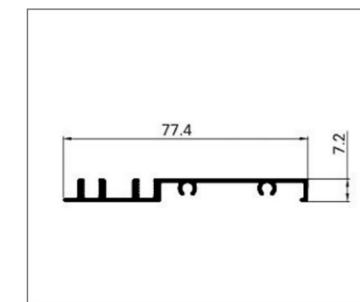
Name: Top track
Number: JY-53 Length: 6.0m
Thickness: 1.6mm Weight: 1.319kg/m



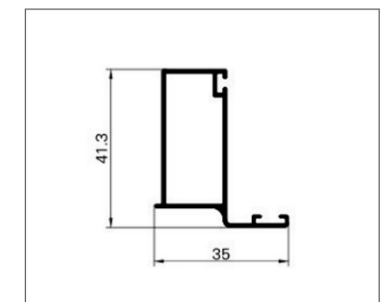
Name: Side frame
Number: JY-36 Length: 4.8m
Thickness: 1.0mm Weight: 0.853kg/m



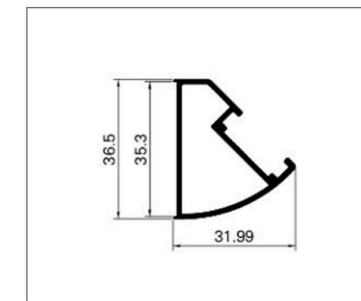
Name: Higher bottom rail
Number: SH-3051 Length: 6.0m
Thickness: 1.0mm Weight: 0.689kg/m



Name: Lower bottom rail
Number: JY-23 Length: 6.0m
Thickness: 1.0mm Weight: 0.452 kg/m



Name: Collision cover
Number: JY-30A Length: 4.6m
Thickness: 1.0mm Weight: 0.376Kg/m



Name: 45 degrees converter
Number: YC-1021 Length: 5.5m
Thickness: 1.2mm Weight: 0.413kg/m

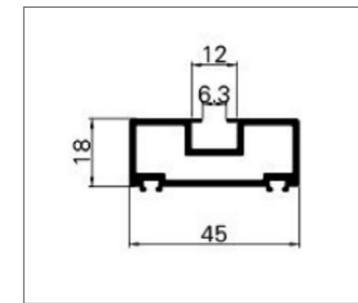


45 FOLDING DOOR SERIES SPOT COLOR:

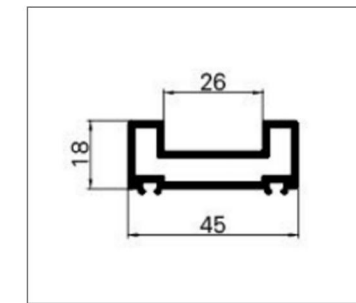


black

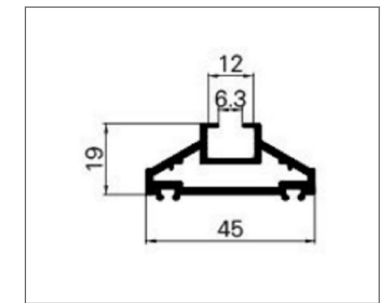
white 01



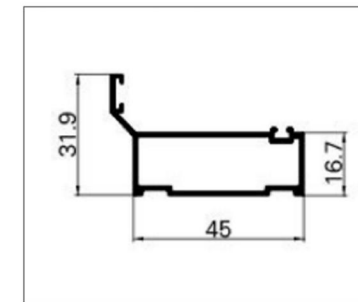
Name: Single glass doorframe
 Number: JY-45ZD-01 Length: 6.0m
 Thickness: 1.8mm Weight: 0.740kg/m



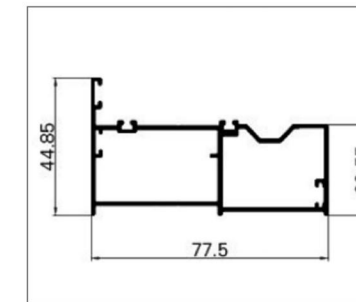
Name: Double glass door frame
 Number: JY-45ZD-02 Length: 6.0m
 Thickness: 1.8mm Weight: 0.725kg/m



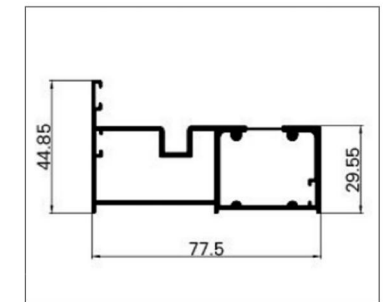
Name: Double glass doorframe
 Number: JY-45ZD-11 Length: 5.2m
 Thickness: 1.8mm Weight: 0.657kg/m



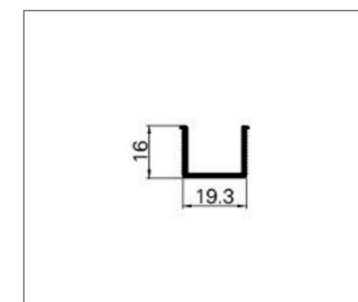
Name: Collision cover
 Number: JY-45ZD-04 Length: 5.5m
 Thickness: 1.2mm Weight: 0.507kg/m



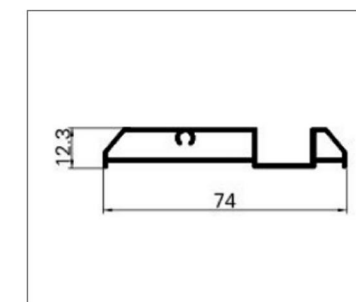
Name: Side frame
 Number: JY-45ZD-05 Length: 4.8m
 Thickness: 1.2mm Weight: 0.930kg/m



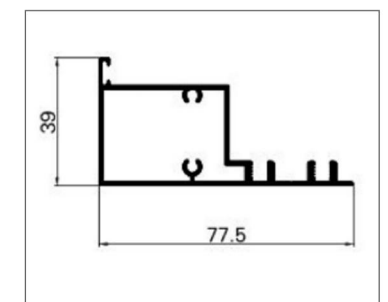
Name: Top track
 Number: JY-45ZD-06 Length: 6.0m
 Thickness: 1.35mm Weight: 1.181kg/m



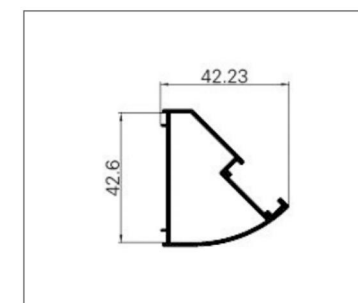
Name: Hidden bottom track
 Number: JY-45ZD-07 Length: 6.0m
 Thickness: 1.4mm Weight: 0.193kg/m



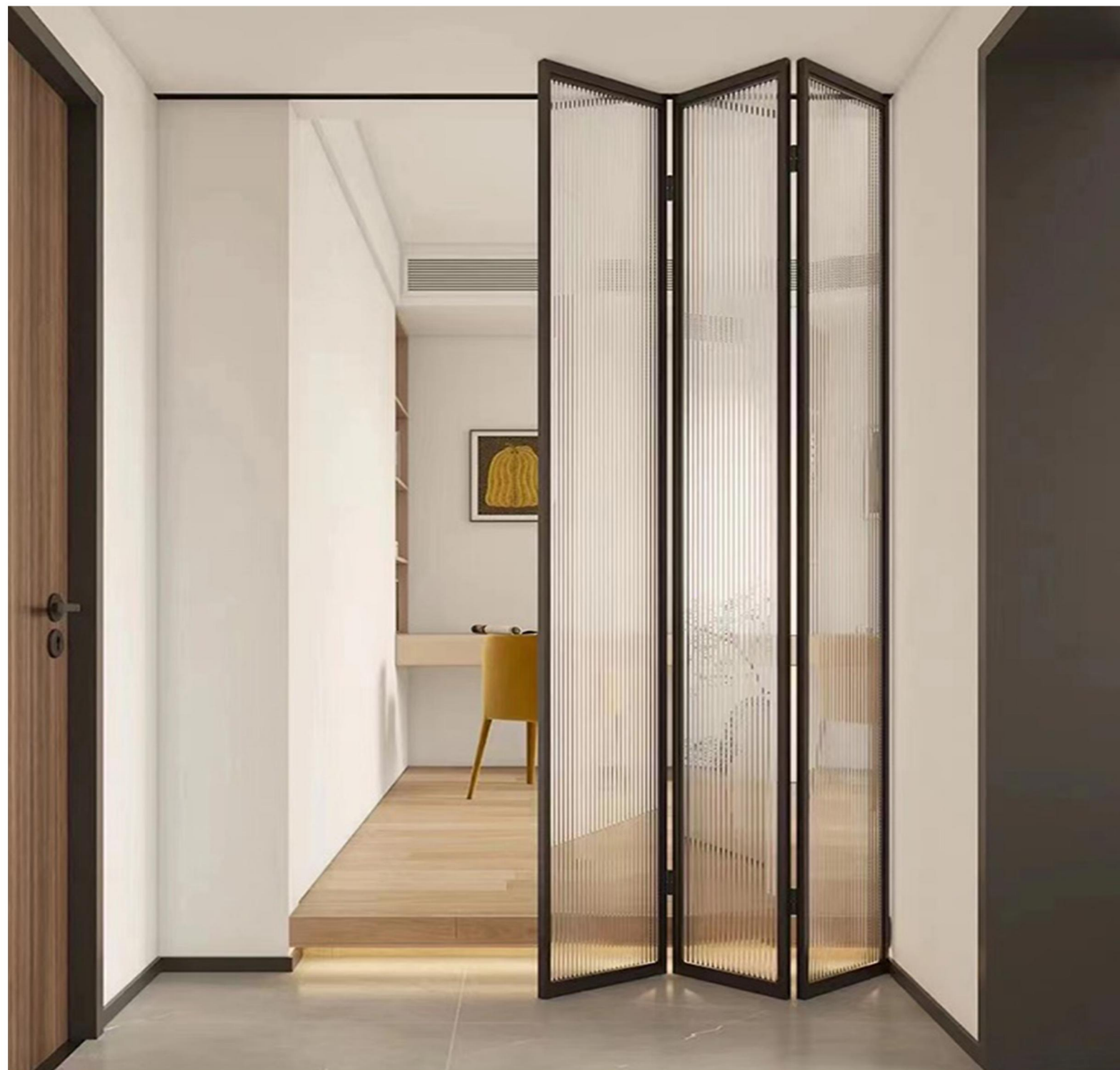
Name: Bottom track
 Number: JY-45ZD-12 Length: 6.0m
 Thickness: 1.2mm Weight: 0.567kg/m



Name: Bottom rail
 Number: JY-45ZD-08 Length: 6.0m
 Thickness: 1.3mm Weight: 0.856kg/m



Name: 45 degrees converter
 Number: JY-45ZD-13 Length: 6.0m
 Thickness: 1.2mm Weight: 0.537kg/m

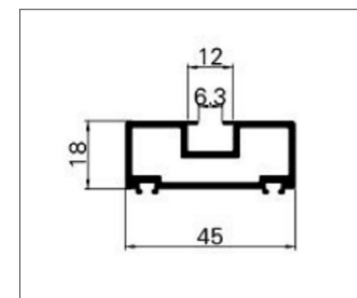


45NARROW SIDE CENTER FOLDING DOOR SPOT COLOR:

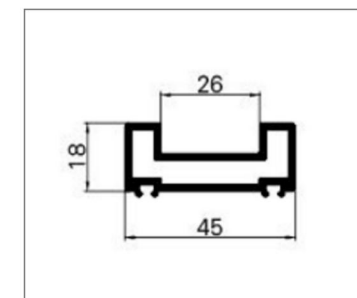


black

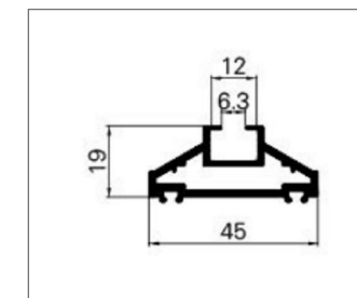
white 01



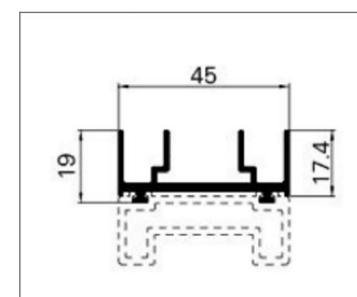
Name: Single glass doorframe
Number: JY-45ZD-01 Length: 6.0m
Thickness: 1.8mm Weight: 0.740kg/m



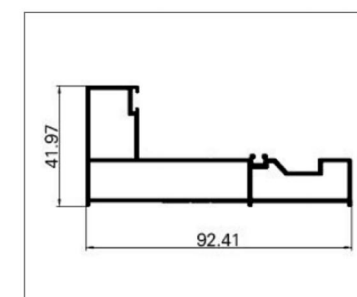
Name: Double glass door frame
Number: JY-45ZD-02 Length: 6.0m
Thickness: 1.8mm Weight: 0.725kg/m



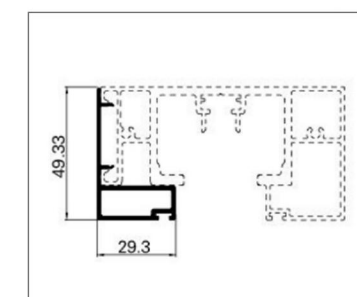
Name: Double glass doorframe
Number: JY-45ZD-11 Length: 5.2m
Thickness: 1.8mm Weight: 0.657kg/m



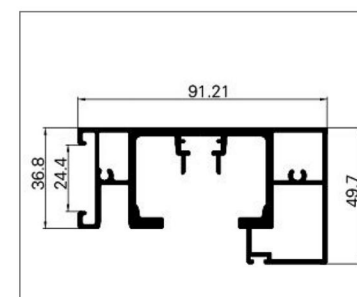
Name: Accessories doorframe electric
Number: JY-45ZD-03 Length: 6.0m
Thickness: 1.2mm Weight: 0.393kg/m



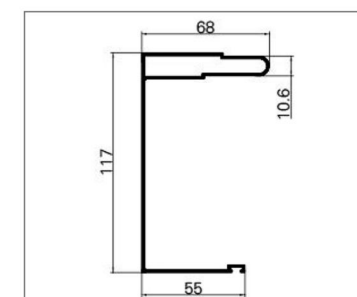
Name: Electric side frame
Number: JY-45ZD-10 Length: 4.8m
Thickness: 1.2mm Weight: 1.032kg/m



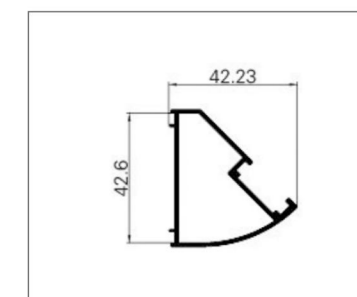
Name: Top track cover
Number: JY-ZYM-06 Length: 6.0m
Thickness: 1.4mm Weight: 0.457kg/m



Name: Top track
Number: JY-ZYM-07A Length: 6.0m
Thickness: 1.5mm Weight: 2.227kg/m

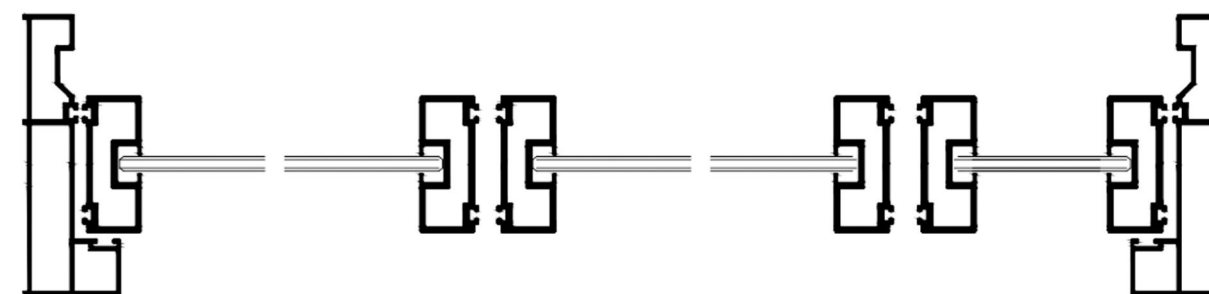


Name: Electric track cover
Number: JY-45ZD-12 Length: 6.0m
Thickness: 1.5mm Weight: 1.217kg/m



Name: 45 degrees converter
Number: JY-45ZD-13 Length: 6.0m
Thickness: 1.2mm Weight: 0.537kg/m

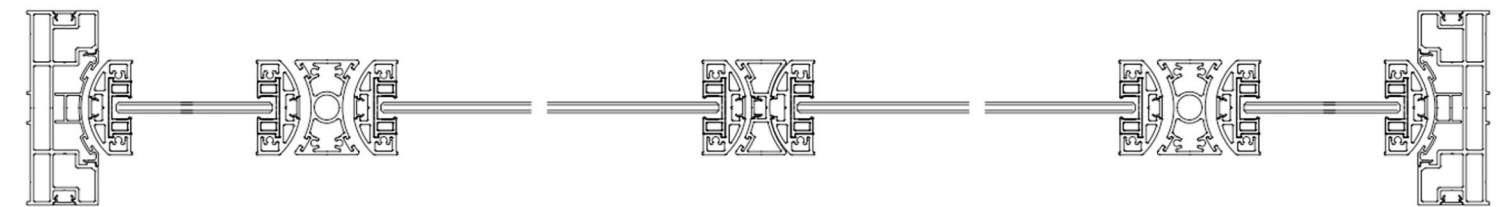
Configuration drawing of 321 folding door aluminum alloy profile



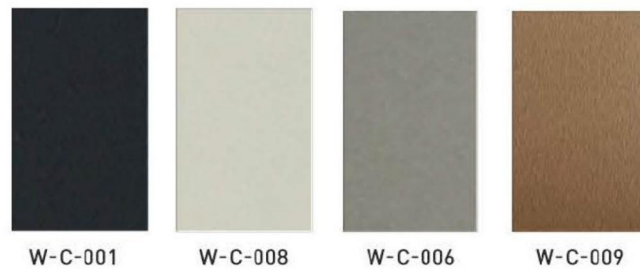


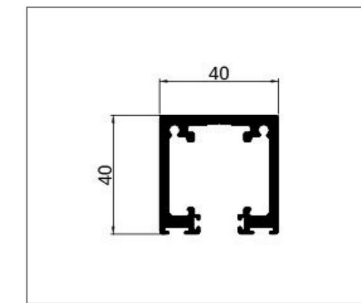
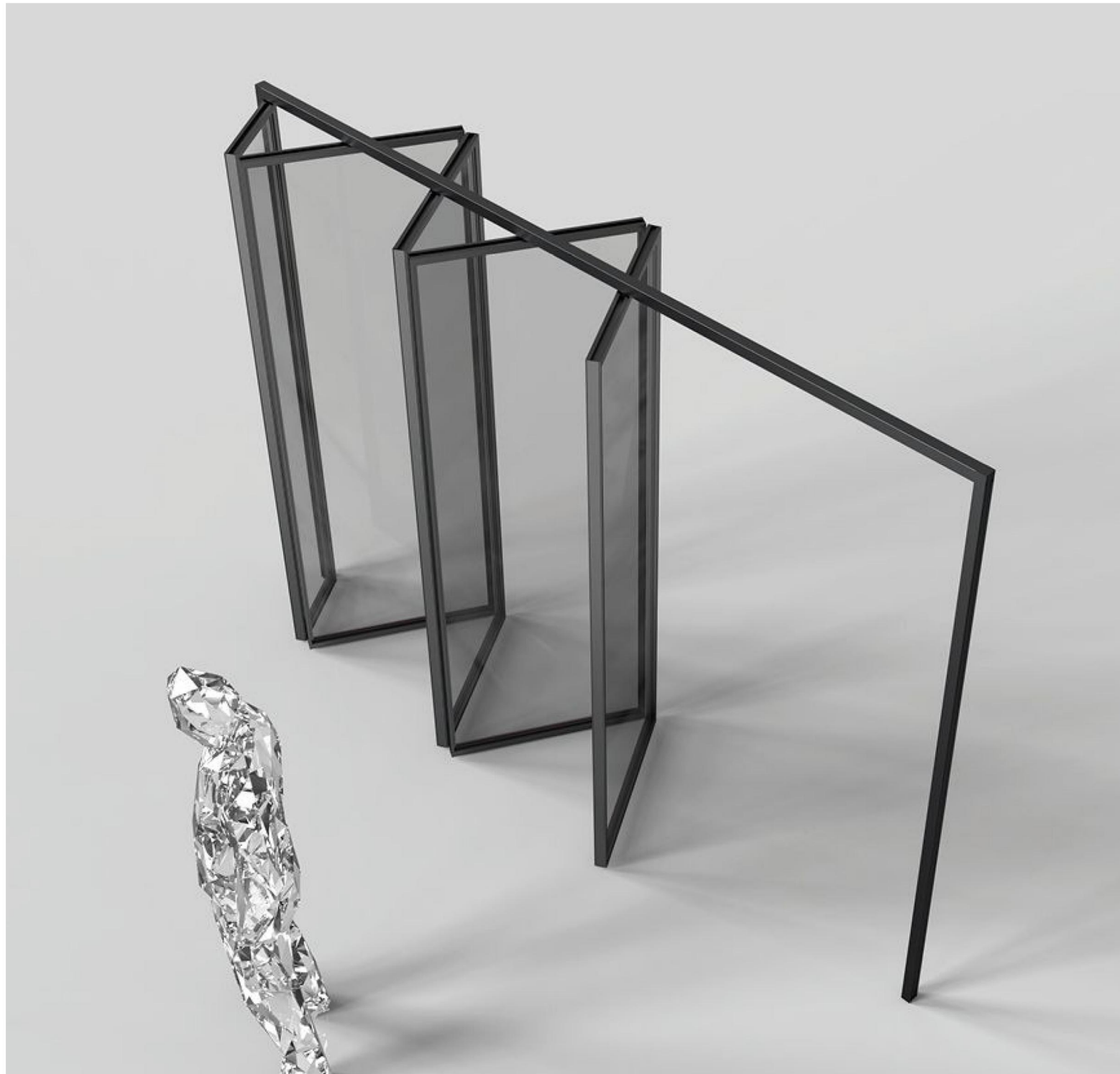
<p>Name: Rail side column profile Number: GDK2045 Length: 4.8/5.2m Thickness: 1.8mm Weight: 0.81kg/m</p>	<p>Name: Section column to hinge door column converter Number: GDK2045D Length: 4.8m Thickness: 1.5mm Weight: 0.7kg/m</p>	<p>Name: Center pivot Number: GDK2030 Length: 4.8/5.2m Thickness: 1.6mm Weight: 1.0kg/m</p>	<p>Name: Upper & lower brackets Number: GDK2004 Length: 6.0m Thickness: 1.6mm Weight: 0.97kg/m</p>
<p>Name: Accessories of upper & lower brackets Number: GDK2004D Length: 6.0m Thickness: 1.6mm Weight: 0.9kg/m</p>	<p>Name: Ceiling rails Number: GDK2001 Length: 6.0m Thickness: 3.0mm Weight: 2.0kg/m</p>	<p>Name: Ceiling rails cap Number: GDK2001K Length: 6.0m Thickness: 1.8mm Weight: 0.45kg/m</p>	<p>Name: Rail side column profile Number: GDK2003 Length: 5.2m Thickness: 1.6mm Weight: 1.56kg/m</p>
<p>Name: Rail side column profile cap Number: GDK2036K Length: 5.2m Thickness: 1.2mm Weight: 0.05kg/m</p>	<p>Name: Rail side column profile cap Number: GDK2003F Length: 5.2m Thickness: 1.6mm Weight: 0.43kg/m</p>	<p>Name: Door frame collision cover Number: GDK2009 Length: 4.8m Thickness: 1.6mm Weight: 0.64kg/m</p>	

Configuration drawing of 422 folding door aluminum alloy profile

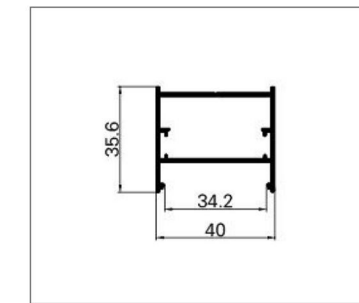


TWO-WAY FREE FOLDING DOOR SPOT COLOR:

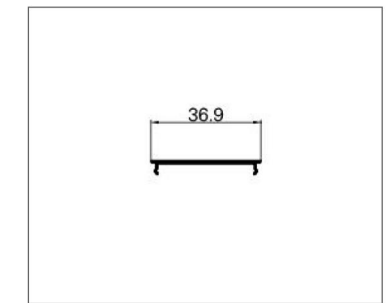




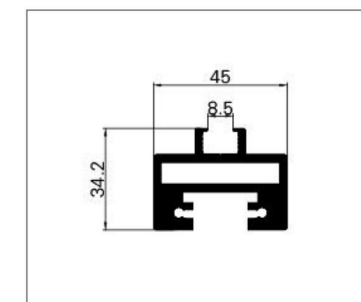
Name: Top track
 Number: JY-40WM-01 Length: 6.0m
 Thickness: 3.0mm Weight: 1.343kg/m



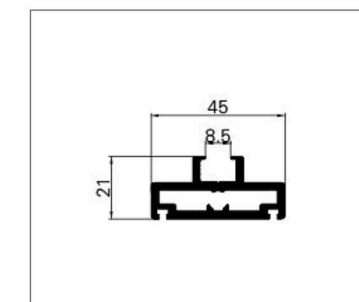
Name: Side frame
 Number: JY-40WM-02 Length: 6.0m
 Thickness: 1.4mm Weight: 0.606kg/m



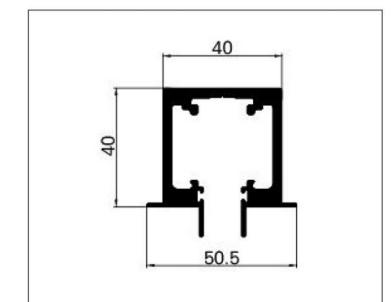
Name: Side frame covers
 Number: JY-40WM-03 Length: 6.0m
 Thickness: 1.3mm Weight: 0.141kg/m



Name: Upper and lower brackets
 Number: JY-40WM-04 Length: 6.0m
 Thickness: 2.5mm Weight: 1.649kg/m

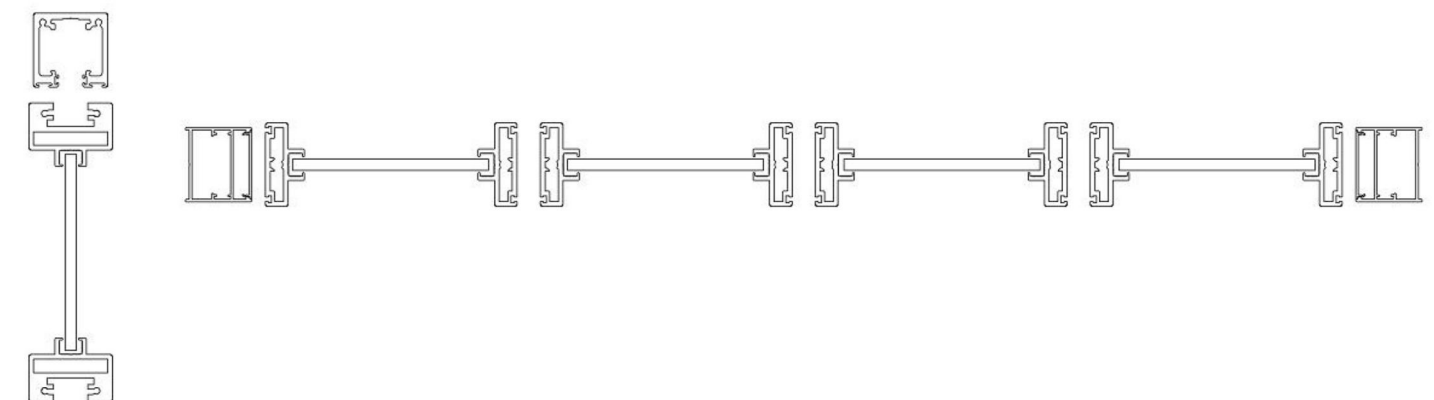


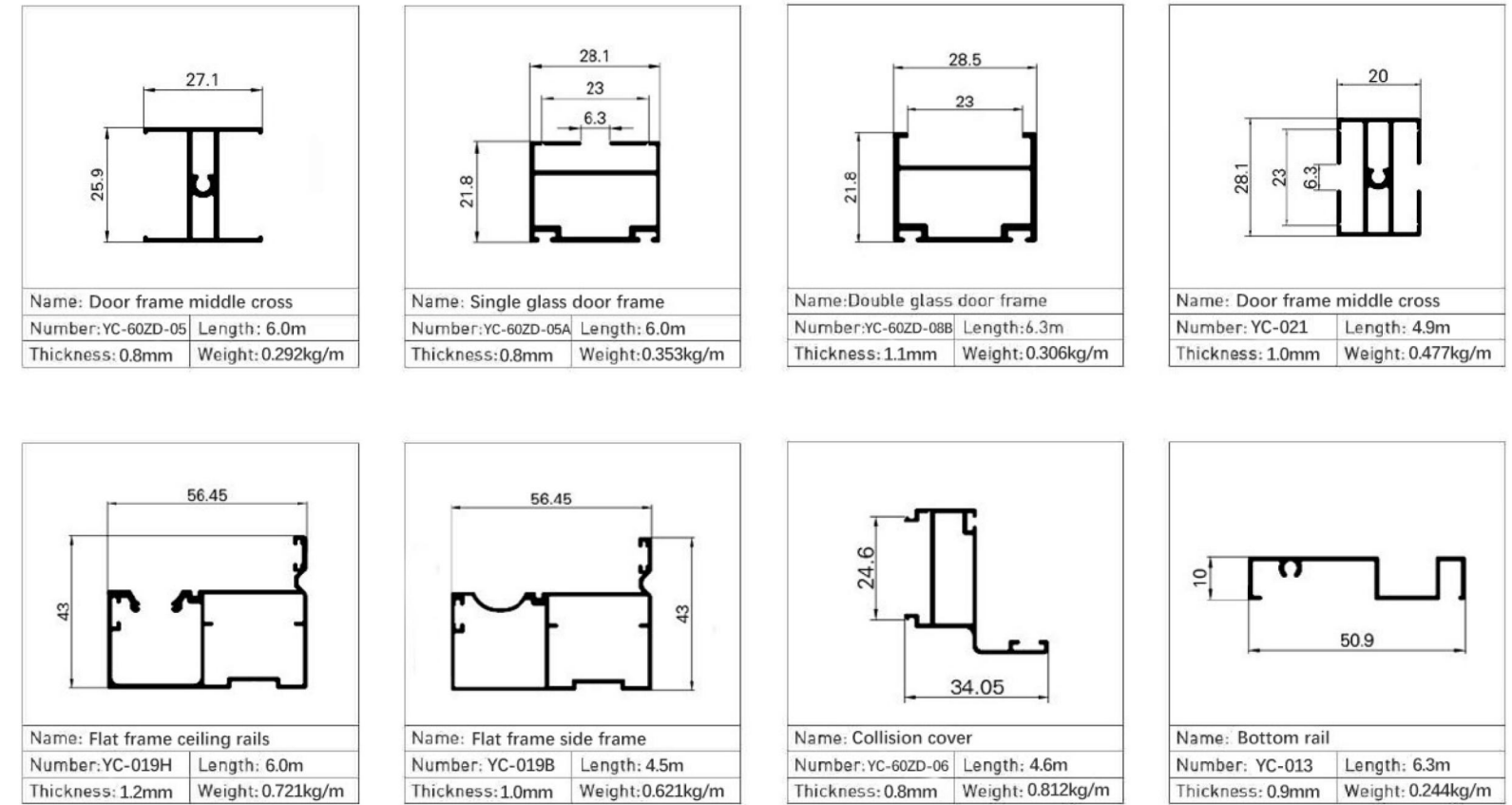
Name: Door frame
 Number: JY-40WM-05 Length: 6.0m
 Thickness: 2.5mm Weight: 0.893kg/m



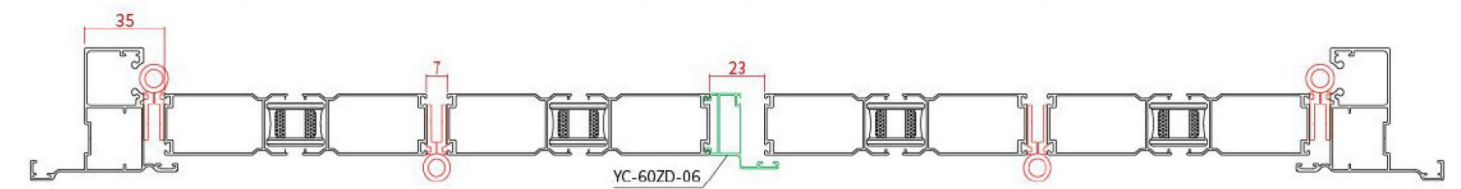
Name: Top track
 Number: JY-40WM-06 Length: 6.0m
 Thickness: 3.0mm Weight: 1.570kg/m

ASSEMBLY DRAWING OF ALUMINUM ALOY PROFLE

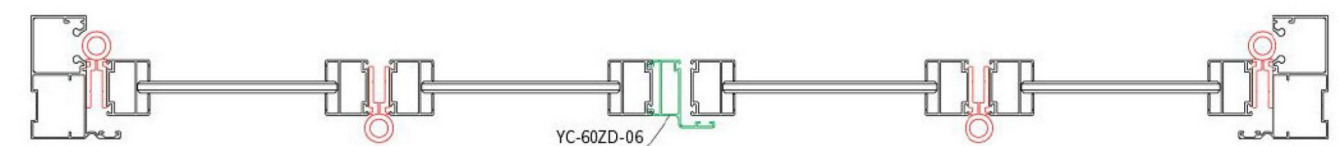




Configuration drawing of aluminum alloy profile of 422 (wide light enterprise) folding door



Configuration drawing of aluminum alloy profile of 422 (narrow light enterprise) folding door

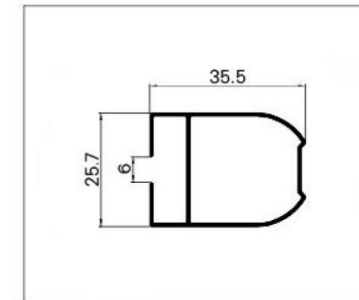
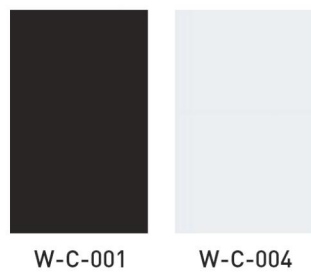


60 (20) SMALL FOLDING DOOR SERIES SPOT COLOR:

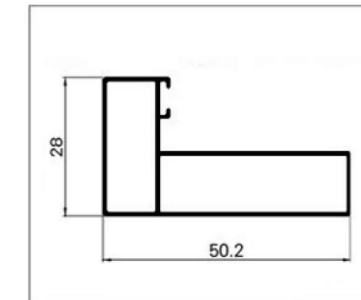




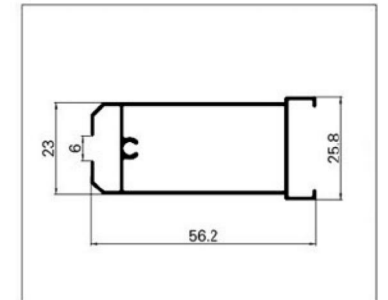
50 SMALL FOLDING DOOR SERIES SPOT COLOR:



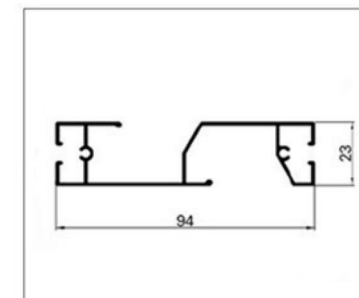
Name: Round door frame
Number: YC-001 Length: 4.1m
Thickness: 0.7mm Weight: 0.249kg/m



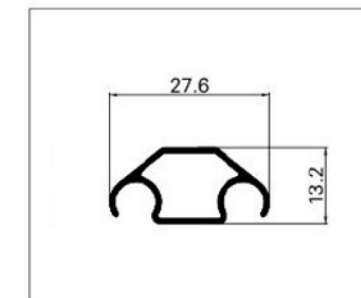
Name: Side frame
Number: YC-002 Length: 4.2m
Thickness: 0.7mm Weight: 0.328kg/m



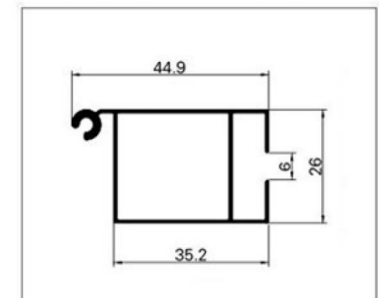
Name: Upper and lower brackets
Number: YC-003 Length: 4.1m
Thickness: 0.7mm Weight: 0.355kg/m



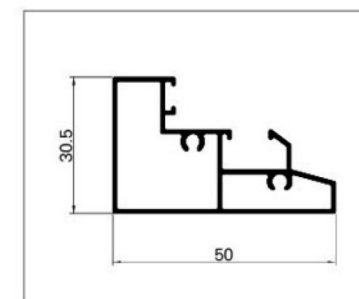
Name: Handle
Number: YC-009 Length: 4.2m
Thickness: 0.9mm Weight: 0.610kg/m



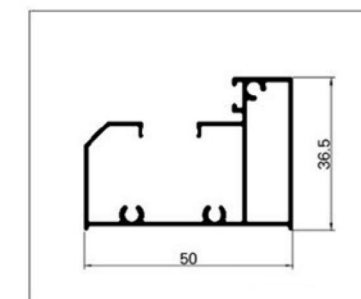
Name: Spool
Number: YC-005 Length: 4.1m
Thickness: 0.9mm Weight: 0.178kg/m



Name: Door frame (with hook)
Number: YC-006 Length: 4.1m
Thickness: 0.7mm Weight: 0.331kg/m

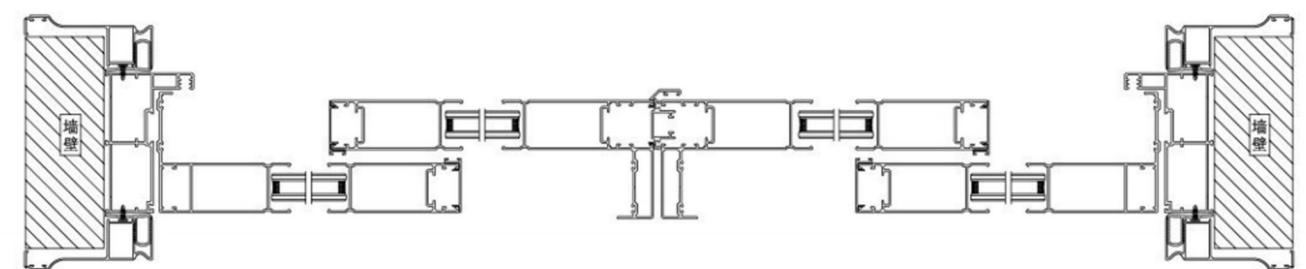


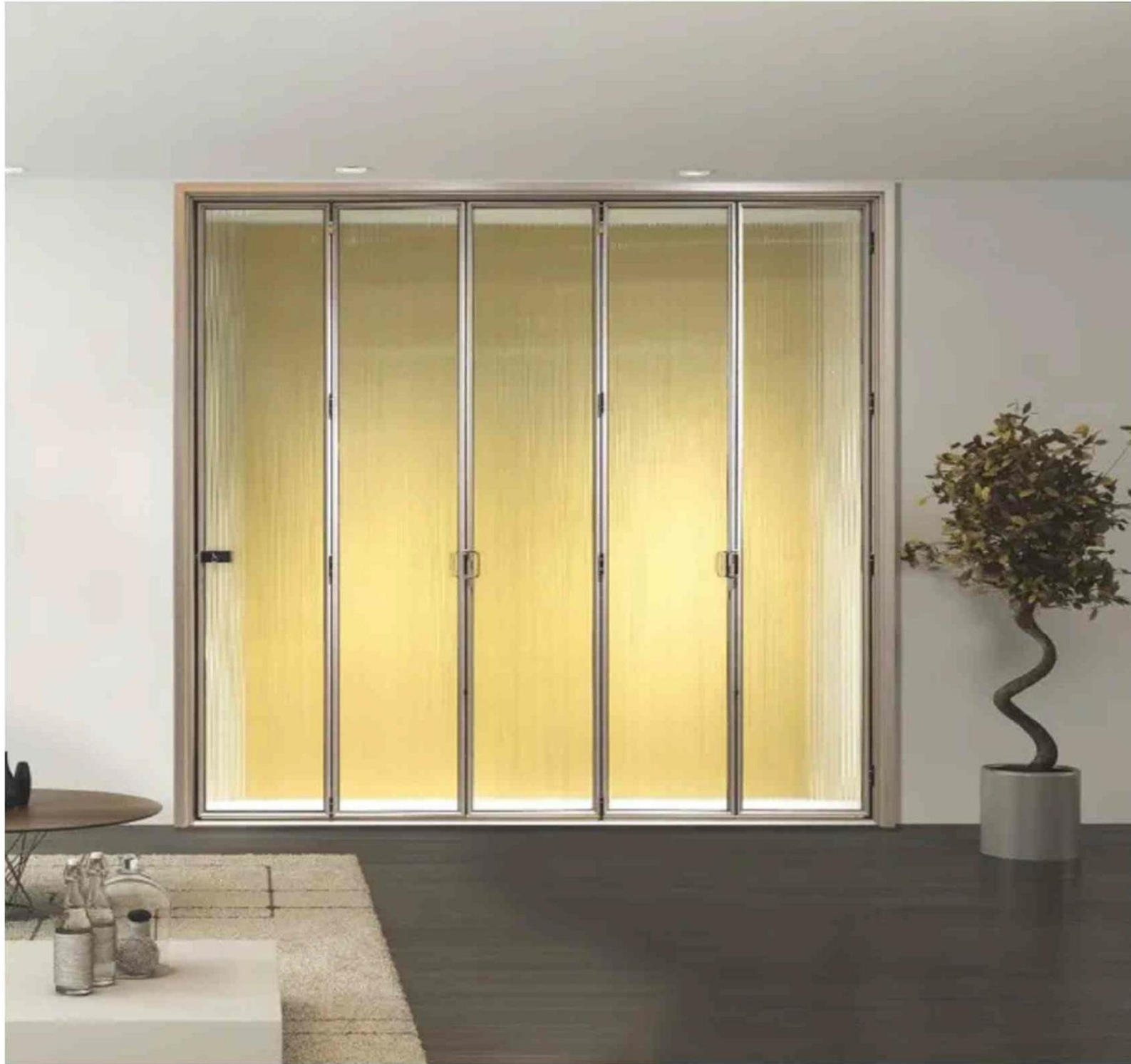
Name: Sliding down
Number: YC-007 Length: 4.2m
Thickness: 0.9mm Weight: 0.501kg/m



Name: Sliding up
Number: YC-008 Length: 4.2m
Thickness: 0.9mm Weight: 0.529kg/m

Assembly drawing of aluminum alloy profile

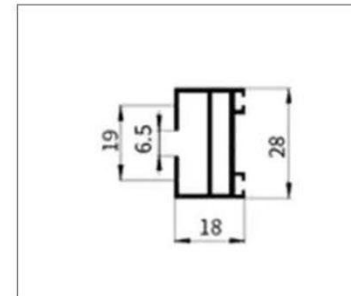




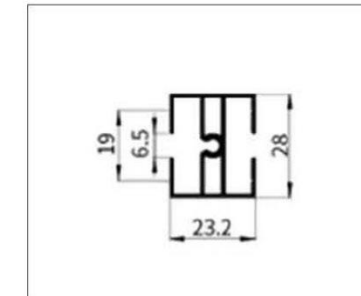
SLIM FOLDING DOOR SERIES SPOT COLOR:



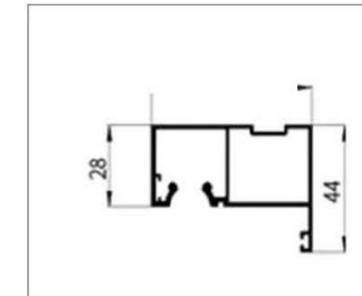
SLIM FOLDING DOOR SERIES PROFILE



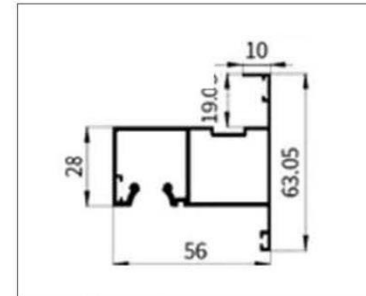
Name Glass door frame	
Number:PU01	
Thickness:1.0mm	Weight:0.33kg/m



Name: Center column	
Number:PU02	
Thickness:1.0mm	Weight:0.54kg/m

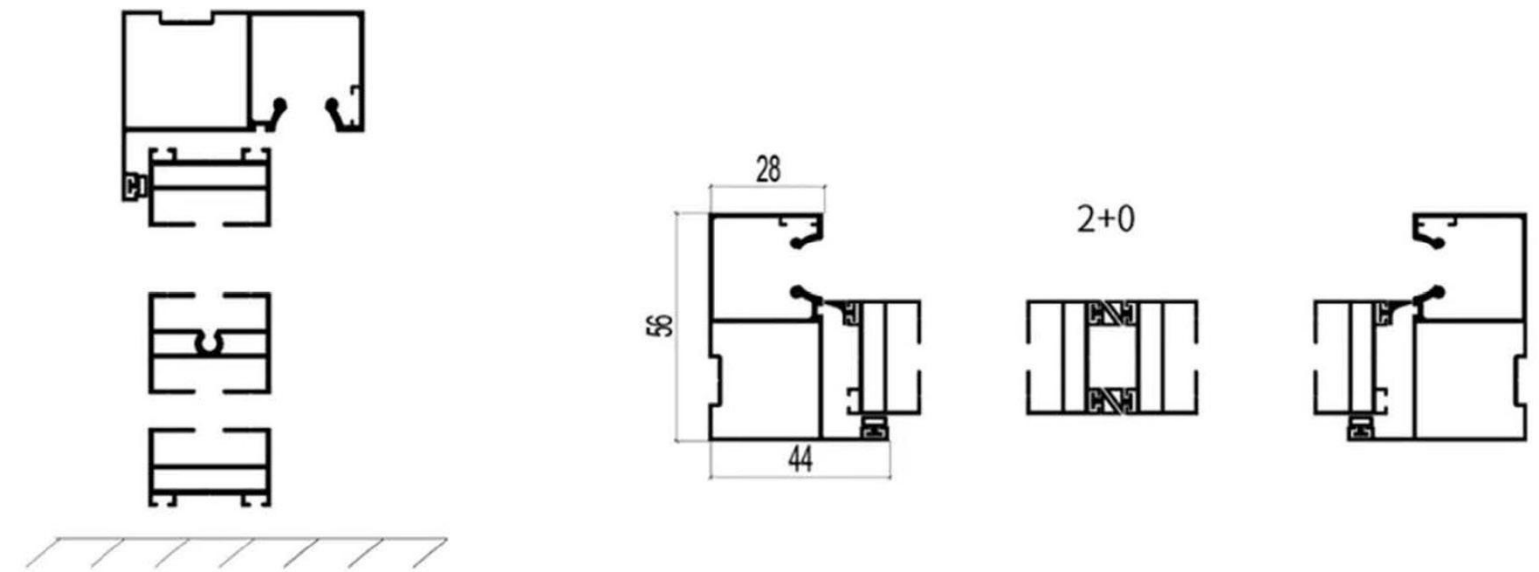


Name: Trim	
Number:PU03	
Thickness:1.2mm	Weight:0.74kg/m



Name:Front trim	
Number:PU04	
Thickness:1.2mm	Weight:0.83kg/m

SLIM FOLDING DOOR SERIES ASSEMBLY DRAWING





50PT DOOR SERIES SPOT COLOR:



black grey 01 grey 01 white 02 wooden02 wooden 04

<p>Name: PD door frame Number:PD-16 Length: 6.2m Thickness:1.5mm Weight: 0.696kg/m</p>	<p>Name: Bottom door frame Number:PD-17 Length: 6.0m Thickness:1.5mm Weight: 0.723kg/m</p>	<p>Name:Bottom door frame Number:PD-17A Length: 6.0m Thickness:1.5mm Weight: 0.741kg/m</p>	<p>Name:Handle door frame Number: PD-18 Length:4.8m Thickness:1.5mm Weight: 1.387kg/m</p>
<p>Name:Hinge side frame Number:PD-19 Length: 4.8m Thickness:1.5mm Weight:0.958kg/m</p>	<p>Name:Hinge doorframe accessories Number:PD-20 Length: 4.8m Thickness:1.0mm Weight: 0.252kg/m</p>	<p>Name: Top track door frame Number:PD-21 Length:6.0m Thickness:1.2mm Weight: 2.056kg/m</p>	<p>Name: Buffer Top track Number:PD-22 Length:6.0m Thickness:2.0mm Weight:1.422kg/m</p>
<p>Name:Top rail Number:PD-05A Length: 6.0m Thickness:1.2mm Weight: 1.398kg/m</p>	<p>Name:Side frame top rail Number:PD-05 Length:6.0m Thickness:1.2mm Weight:1.201kg/m</p>	<p>Name: Single doorframe (with hook) Number:PD-10 Length:4.6m Thickness:1.0mm Weight:0.326kg/m</p>	<p>Name:Door frame (with hook) Number:PD-07A Length:4.8m Thickness:1.0mm Weight: 0.232kg/m</p>
<p>Name: Doorframe Center column Number:PD-11 Length:6.0m Thickness:1.0mm Weight: 0.353kg/m</p>	<p>Name:Bottom track Number:PD-08A Length:6.0m Thickness:1.2mm Weight:0.419kg/m</p>	<p>Name:Conversion Strip Number:PD-12 Length:6.0m Thickness:0.9mm Weight:0.535kg/m</p>	



80PT DOOR SERIES SPOT COLOR:



black white 03 gold 01 gold 02 wooden02 wooden 03

<p>Name: Top track doorframe Number:PD-01A Length: 6.0m Thickness:1.2mm Weight: 2.204kg/m</p>	<p>Name:PD door frame Number:PD-02 Length:6.5m Thickness:1.1mm Weight: 0.730kg/m</p>	<p>Name: Hinge side frame Number:PD-03 Length:4.8m Thickness:1.1mm Weight: 1.016kg/m</p>	<p>Name:Buffer Top track Number: PD-04A Length:6.0m Thickness:2.0mm Weight: 1.372kg/m</p>
<p>Name:Side frame top rail Number:PD-05 Length:6.0m Thickness:1.2mm Weight:1.201kg/m</p>	<p>Name:Top rail Number:PD-05A Length:6.0m Thickness:1.2mm Weight: 1.398kg/m</p>	<p>Name: Bottom door frame Number:PD-06 Length:6.0m Thickness:1.2mm Weight: 0.757kg/m</p>	<p>Name: Bottom door frame Number:PD-06A Length:6.0m Thickness:1.2mm Weight:0.784kg/m</p>
<p>Name:Doorframe (with hook) Number:PD-07A Length:4.8m Thickness:1.0mm Weight:0.232kg/m</p>	<p>Name:Bottom track Number:PD-08A Length:6.0m Thickness:1.2mm Weight:0.419kg/m</p>	<p>Name: Handle door frame Number:PD-09A Length:4.8m Thickness:1.2mm Weight:1.247kg/m</p>	<p>Name:Single doorframe (with hook) Number:SG205 Length:4.6m Thickness:1.0mm Weight: 0.326kg/m</p>
<p>Name: Doorframe Centercolumn Number:PD-11 Length:6.0m Thickness:1.0mm Weight: 0.353kg/m</p>	<p>Name:Side frame top rail Number:PD-15 Length:4.8m Thickness:1.2mm Weight:1.533kg/m</p>		



SLIM (SINGLE GLAZING) PT DOOR SERIES SPOT COLOR:



black white 02 grey 03

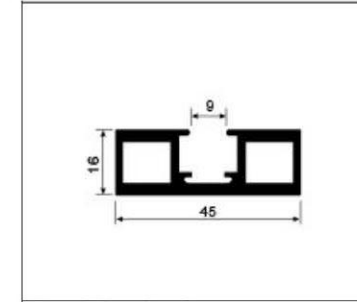
<p>Name: Top rail Number: JY-HY-01 Length: 4.8m Thickness: 1.0mm Weight: 0.615kg/m</p>	<p>Name: Top rail accessories Number: JY-HY-02 Length: 4.8m Thickness: 1.2mm Weight: 0.356kg/m</p>	<p>Name: Slotting Number: JY-HY-03 Length: 4.8m Thickness: 2.0mm Weight: 0.255kg/m</p>	<p>Name: Slotting Number: JY-HY-05 Length: 4.8m Thickness: 1.5mm Weight: 0.461kg/m</p>
<p>Name: Handle door frame Number: JY-HY-07 Length: 4.6m Thickness: 1.0mm Weight: 0.581kg/m</p>	<p>Name: Hinge side frame Number: JY-HY-06 Length: 4.6m Thickness: 1.4mm Weight: 0.329kg/m</p>	<p>Name: Door frame (with hook) door frame Number: JY-HY-08 Length: 4.6m Thickness: 1.0mm Weight: 0.260kg/m</p>	<p>Name: Upper door frame Number: JYHY-04 Length: 4.8m Thickness: 1.3mm Weight: 0.415kg/m</p>
<p>Name: Lock slot Number: JY-HY-10 Length: 4.8m Thickness: 1.1mm Weight: 0.170kg/m</p>	<p>Name: Flat side frame Number: JY-HY-14 Length: 5.3m Thickness: 1.0mm Weight: 0.378kg/m</p>	<p>Name: Side frame (front) Number: JY-HY-11 Length: 5.3m Thickness: 1.0mm Weight: 0.459kg/m</p>	<p>Name: Side frame (inner side) Number: JY-HY-12 Length: 5.3m Thickness: 1.0mm Weight: 0.459kg/m</p>
<p>Name: Handle door frame accessories Number: JY-HY-13 Length: 4.5m Thickness: 1.0mm Weight: 0.133kg/m</p>	<p>Name: Center column Number: JY-HY-09 Length: 6.0m Thickness: 1.0mm Weight: 0.205kg/m</p>		



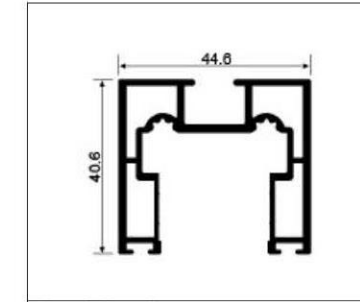
GHOST SLIDING DOOR SPOT COLOR:



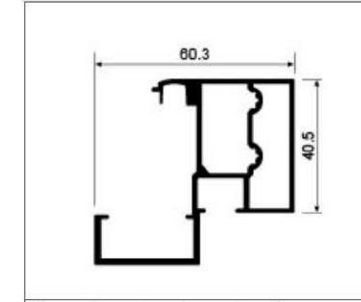
W-A-005



Name:Glass door frame	
Number:SK590	Length:5.4m
Thickness:2.0mm	Weight:0.872kg/m



Name:Glass door upper	
Number:SK591	Length:6.0m
Thickness:1.8mm	Weight:1.12kg/m



Name:Glass door lower brackets	
Number:SK589	Length:6.0m
Thickness:1.4mm	Weight:1.185kg/m

